

379408002

ILLUSTRATED

PARTS LIST

FOR

SINGER*

MACHINE

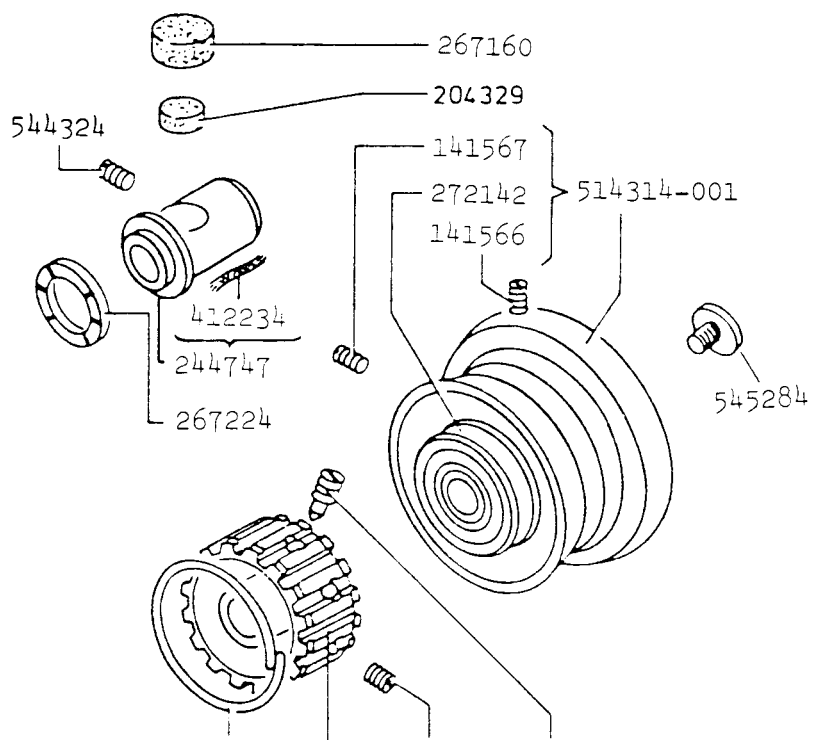
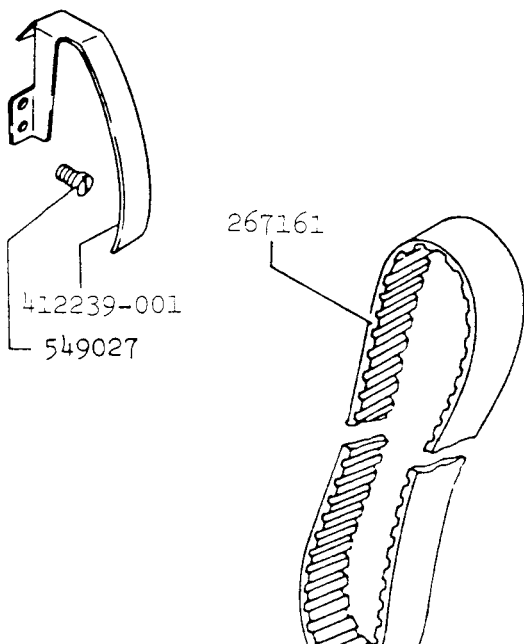
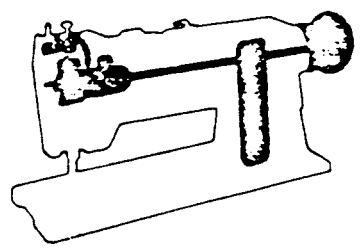
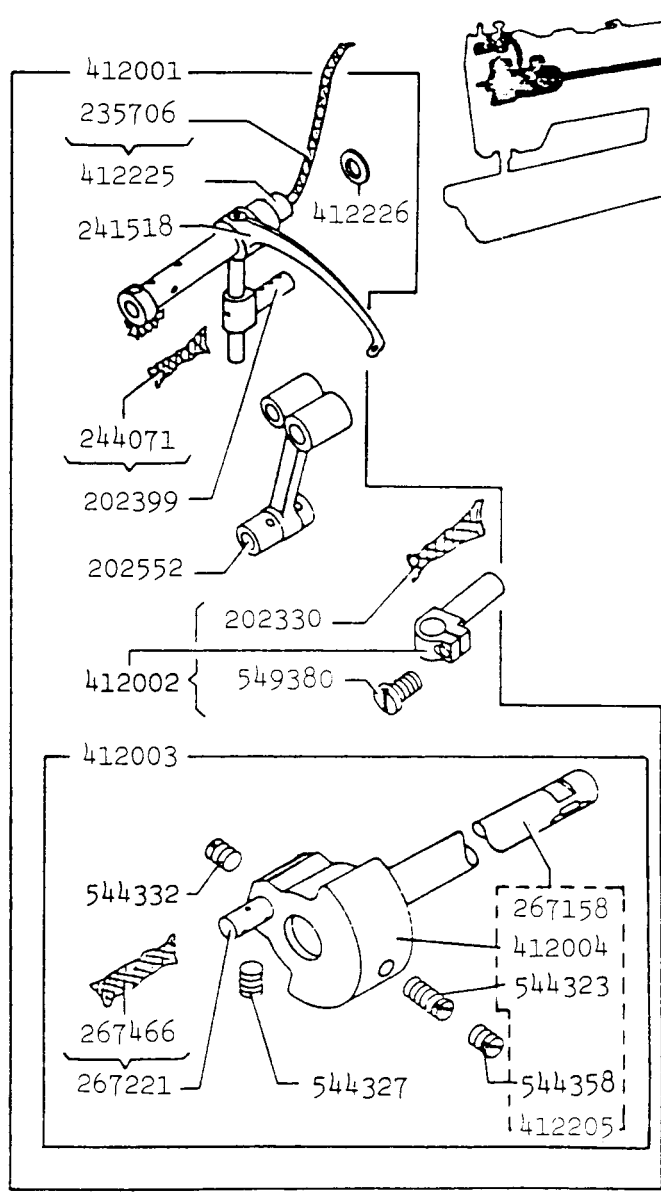
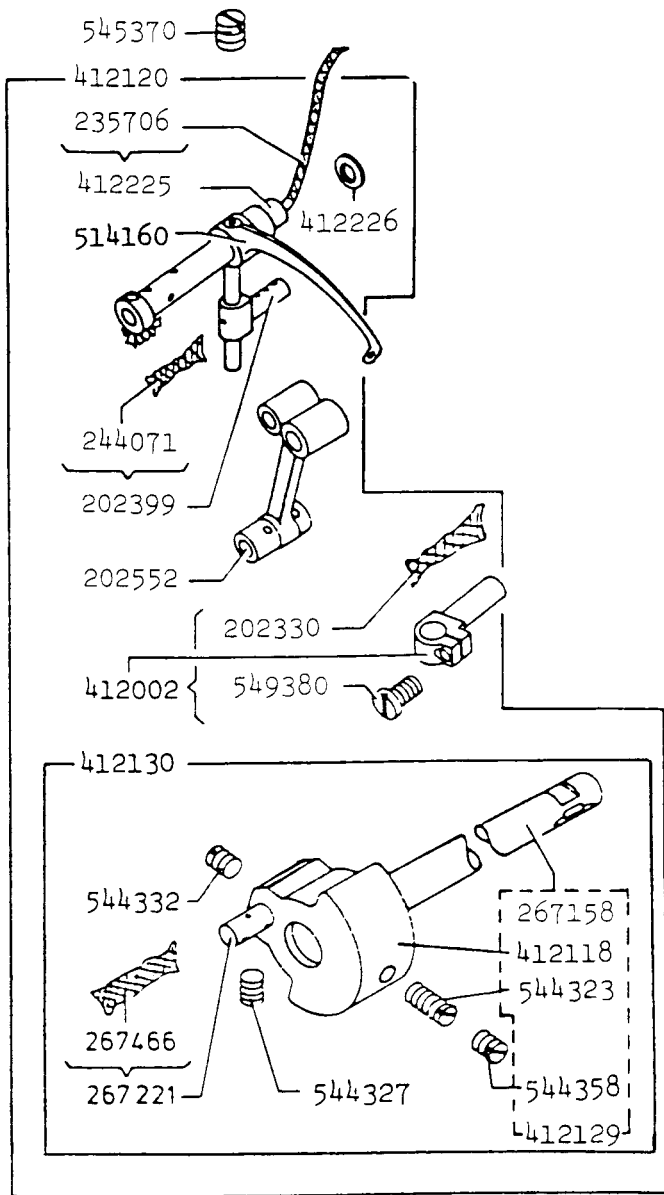
211A165AA

166AA

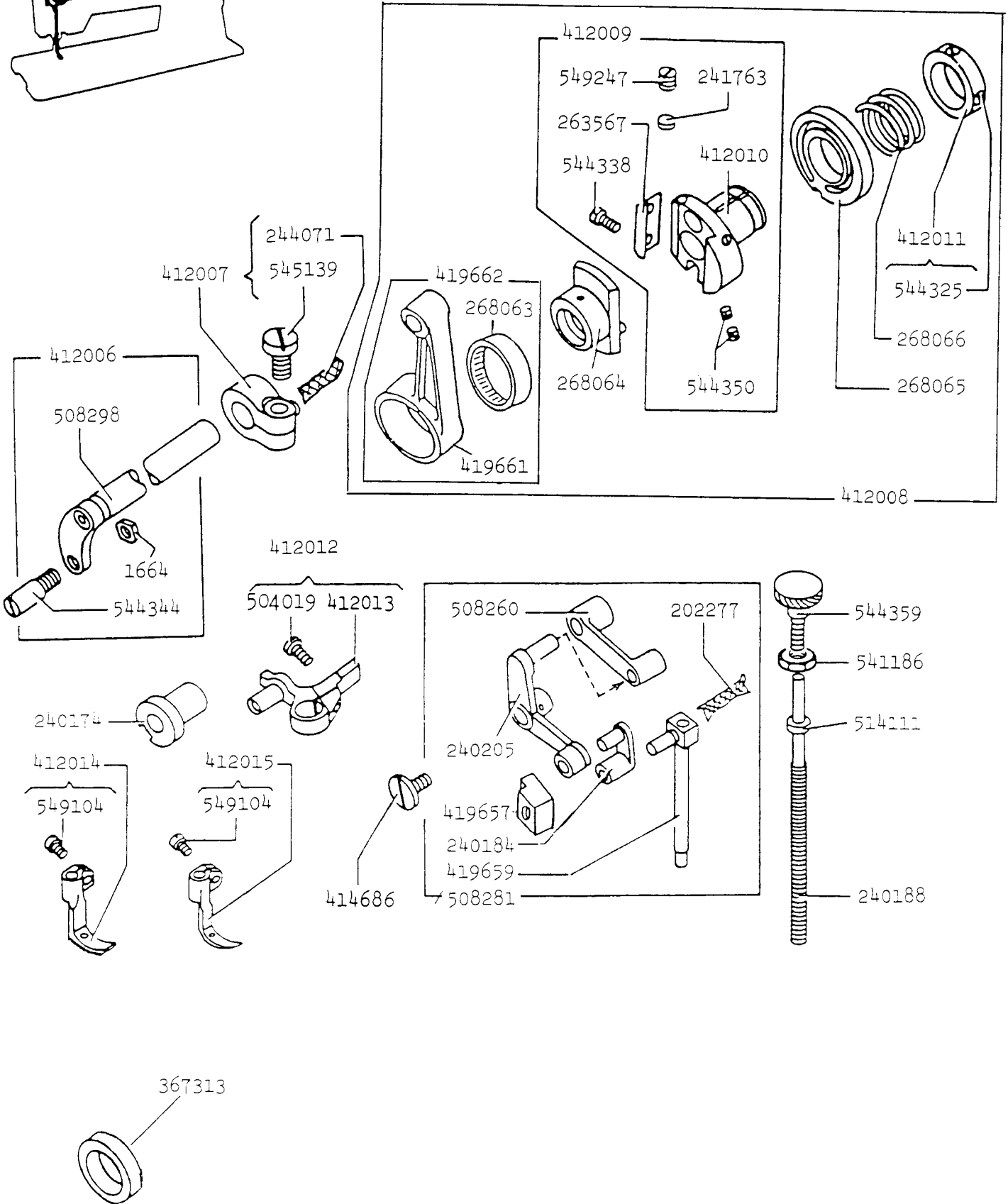
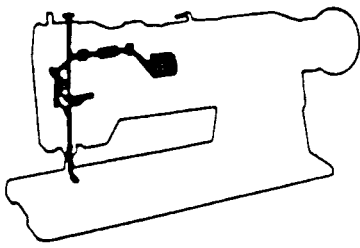
566AA

567AB

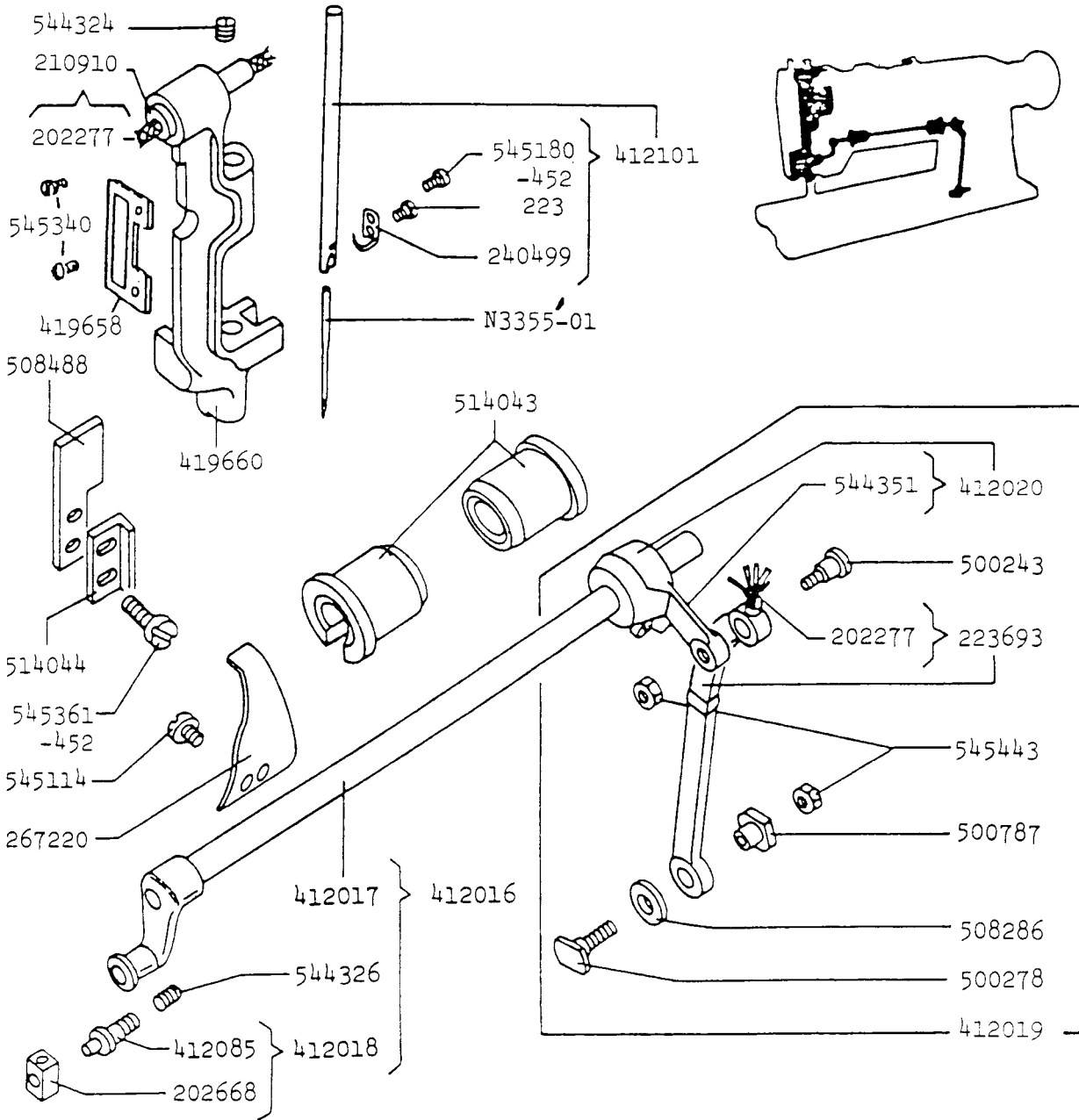
From the library of: Diamond Needle Corp



No.	212A141AA 211A157AA 165AA 166AA 566AA 567AB	Description
141566	* * * * *	Machine Pulley Position Screw
141567	* * * * *	Machine Pulley Set Screw
202253	* * * * *	Arm Shaft Connecting Belt Pulley Spring Flange (2)
202330	* * * * *	Needle Bar Connecting Stud Wick
202399	* * * * *	Take-up Lever Driving Stud with 244071
202552	* * * * *	Needle Bar Connecting Link
204329	* * * * *	Arm Shaft Bushing (front) Oil Pad (felt) (lower)
235706	* * * * *	Take-up Lever Hinge Stud Oil Wick
241518	- - * * - -	Take-up Lever
244071	* * * * *	Take-up Lever Driving Stud Oil Wick
244747	* * * * *	Arm Shaft Bushing (front) with 412234
267158	* * * * *	Arm Shaft
267160	* * * * *	Arm Shaft Bushing (front) Oil Pad (felt) (upper)
267161	* * * * *	Arm Shaft Connecting Belt
267221	* * * * *	Needle Bar Connecting Link Stud with 267466
267224	* * * * *	Needle Bar Crank Friction Washer
267466	* * * * *	Needle Bar Connecting Link Stud Wick
272142	* * * * *	Machine Pulley Ball Bearing (back)
412001	- - * * - -	Arm Shaft Complete 202399, 202552, 241518, 412002, 412003, 412225, 412226
412002	- - * * * *	Needle Bar Connecting Stud with 202330, 549380
412003	* * * * - -	Arm Shaft Complete 267221, 412205, 544327, 544332
412004	* * * * - -	Needle Bar Crank
412005	* * * * * *	Arm Shaft Connecting Belt Pulley with 202253 (2), 544322, 544330
412118	- - - - * *	Needle Bar Crank
412120	- - - - * *	Arm Shft, Needle Bar Crank, Take-up Lever Complete 202399, 202552, 412002, 412130, 412225, 412226, 514160
412129	- - - - * *	Arm Shaft, Needle Bar Crank Complete 267158, 412118, 544323, 544358
412130	- - - - * *	Arm Shaft, Needle Bar Crank, Needle Bar Connecting Link Stud Complete 267221, 412129, 544327, 544332
412205	* * * * - -	Arm Shaft Complete 267158, 412004, 544323, 544358
412225	* * * * * *	Take-up Lever Hinge Stud with 235706
412226	* * * * * *	Take-up Lever Hinge Stud Wearing Washer
412234	* * * * * *	Arm Shaft Bushing (front) Oil Wick
412239-001	* * * * * *	Take-up Lever Guard
514160	- - - - * *	Take-up Lever
514314-001	- - * * * *	Machine Pulley with 141566, 141567, 272142
544322	* * * * * *	Arm Shaft Connecting Belt Pulley Set Screw
544323	* * * * * *	Needle Bar Crank Position Screw
544324	* * * * * *	Arm Shaft Bushing (front) Set Screw
544327	* * * * * *	Needle Bar Connecting Link Stud Set Screw
544330	* * * * * *	Arm Shaft Connecting Belt Pulley Position Screw
544332	* * * * * *	Needle Bar Connecting Link Stud Set Screw
544358	* * * * * *	Needle Bar Crank Check Screw
545284	* * * * * *	Hand Wheel Screw
545370	* * * * * *	Take-up Lever Hinge Stud Set Screw
549027	* * * * * *	Take-up Lever Guard Screw (3)
549380	* * * * * *	Needle Bar Connecting Stud Pinch Screw



No.	212AA 211AA 165AA 166AA 566AA 567AB	Description
1664	- - * * * *	Lifting Bell Crank Link Screw Stud Nut
202277	- - * * * *	Vibrating Presser Bar Wick
240174	- - * * * *	Lifting Rock Shaft Bushing (2)
240184	- - * * * *	Vibrating Presser Bar Connecting Link
240188	- - * * * *	Vibrating Presser Bar Extension Spring
240205	- - * * * *	Lifting Bell Crank
241763	- - * * * *	Eccentric Friction Plate Screw Set Screw (2)
244071	- - * * * *	Lifting Eccentric Connection Crank Oil Wick
263567	- - * * * *	Lifting Eccentric Friction Plate
268063	- - * * * *	Lifting Eccentric Needle Bearing
268064	- - * * * *	Lifting Eccentric
268065	- - * * * *	Lifting Eccentric Adjusting Disc
268066	- - * * * *	Lifting Eccentric Adjusting Disc Spring
367313	- - * * * *	Lifting Eccentric Washer
412006	- - * * * *	Lifting Rock Shaft Complete 1664, 508298, 544344
412007	- - * * * *	Lifting Eccentric Connection Crank with 244071, 545139
412008	- - * * * *	Lifting Eccentric with 268064, 268065, 268066, 412009, 412011, 419662
412009	- - * * * *	Lifting Eccentric Flange Complete 241763 (2), 263567 412010, 544338 (2), 544350 (4), 549247 (2)
412010	- - * * * *	Lifting Eccentric Flange
412011	- - * * * *	Lifting Eccentric Adjusting Disc Spring Collar with 544325 (2)
412012	- - * * * *	Presser Bar Lifting Bracket Complete 412013, 504019
412013	- - * * * *	Presser Bar Lifting Bracket
412014	- - * * * *	Vibrating Presser Foot with 549104 (optional)
412015	- - * * * *	Vibrating Presser Foot with 549104
414686	- - * * * *	Lifting Bell Crank Cap Screw
419657	- - * * * *	Vibrating Presser Bar Slide Block
419659	- - * * * *	Vibrating Presser Bar
419661	- - * * * *	Lifting Eccentric Connection
419662	- - * * * *	Lifting Eccentric Connection Complete 268063, 419661
504019	- - * * * *	Presser Bar Lifting Bracket Pinch Screw
508260	- - * * * *	Lifting Bell Crank Link
508281	- - * * * *	Vibrating Presser Bar with Bell Crank and Lifting Bell Crank Complete 202277, 240184, 240205, 419657, 419659, 508260
508298	- - * * * *	Lifting Rock Shaft
514111	- - * * * *	Vibrating Presser Bar Extension
541186	- - * * * *	Vibrating Presser Bar Thumb Screw Lock Nut
544325	- - * * * *	Lifting Eccentric Adjusting Disc Spring Collar Set Screw (2)
544338	- - * * * *	Lifting Eccentric Friction Plate Screw (2)
544344	- - * * * *	Lifting Bell Crank Link Screw Stud
544350	- - * * * *	Lifting Eccentric Flange Set Screw (4)
544359	- - * * * *	Vibrating Presser Bar Thumb Screw (pressure regulating)
545139	- - * * * *	Lifting Eccentric Connection Crank Pinch Screw
549104	- - * * * *	Vibrating Presser Foot Pinch Screw
549104	- - * * * *	Vibrating Presser Foot Pinch Screw
549247	- - * * * *	Lifting Eccentric Friction Plate Screw Set Screw (2)



No.	212A141AA 211A157AA 165AA 166AA 566AA 567AB	Description
223	- * * * * *	Needle Set Screw
N3355-01	- - * * * *	Needle (135x17, #22)
202277	- - * * * *	Needle Bar Rock Frame Hinge Stud Oil Wick
202277	- - * * * *	Needle Bar Rock Frame Rock Shaft Crank Connection Oil Wick
202668	- - * * * *	Needle Bar Rock Frame Rock Shaft Slide Block
210910	- - * * * *	Needle Bar Rock Frame Hinge Stud with 202277
223693	- - * * * *	Needle Bar Rock Frame Rock Shaft Crank Connection with 202277
240499	- - * * * *	Needle Bar Thread Guide
267220	* * * * * *	Oil Guard
412016	- - * * * *	Needle Bar Rock Frame Rock Shaft Complete 412017 412018, 544326
412017	- - * * * *	Needle Bar Rock Frame Rock Shaft
412018	- - * * * *	Needle Bar Rock Frame Rock Shaft Slide Block Complete 202668, 412085
412019	- - * * * *	Needle Bar Rock Shaft Connection Link Crank Complete 223693, 412020, 500243, 500278, 500787, 508286, 545443 (2)
412020	- - * * * *	Needle Bar Rock Shaft Connection Link Crank with 544351
412085	- - * * * *	Needle Bar Rock Frame Rock Shaft Slide Block Stud
412101	- - * * * *	Needle Bar with 223, 240499, 545180-452
419658	- - * * * *	Vibrating Presser Bar Slide Guide Plate
419660	- - * * * *	Needle Bar Rock Frame
500243	- - * * * *	Needle Bar Rock Shaft Crank Hinge Screw
500278	- - * * * *	Needle Bar Rock Shaft Crank Link Slide Screw
500787	- - * * * *	Needle Bar Rock Shaft Crank Link Slide Screw Nut
508286	- - * * * *	Needle Bar Rock Shaft Crank Link Slide Screw Spacer
508488	- - * * * *	Presser Bar Guide
514043	- - * * * *	Needle Bar Rock Shaft Bushing (2)
514044	- - * * * *	Needle Bar Rock Frame Position Bracket
544324	- - * * * *	Needle Bar Rock Frame Hinge Stud Set Screw
544326	- - * * * *	Needle Bar Rock Frame Rock Shaft Slide Block Stud Set Screw
544351	- - * * * *	Needle Bar Rock Shaft Connection Link Crank Pinch Screw
545114	* * * * * *	Oil Guard Screw
545180-452	- * * * * *	Needle Bar Thread Guide Screw
545340	- - * * * *	Vibrating Presser Bar Slide Guide Plate Screw
545361-452	- - * * * *	Presser Bar Guide Screw (2)
545443	- - * * * *	Needle Bar Rock Shaft Crank Hinge Screw
545443	- - * * * *	Needle Bar Rock Shaft Crank Link Slide Screw Lock Nut

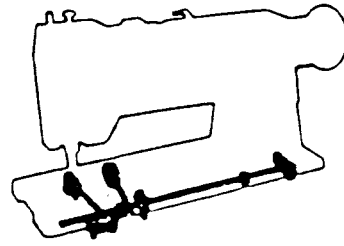
544329 — [part]

544399 — [part]

412026 — [part]

240147 — [part]

264510 — [part]



412021 — [part]

412023 — [part]

412025 — [part]

549075 — [part]
223655 — [part]

543804-025 — [part]

544411 — [part]

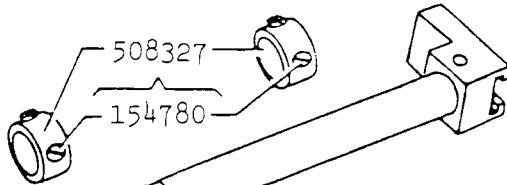
412024 — [part]

545405 — [part]

412089 — [part]

412022 — [part]

545154 — [part]



508327 — [part]

154780 — [part]

515724 — [part]

412027 — [part]

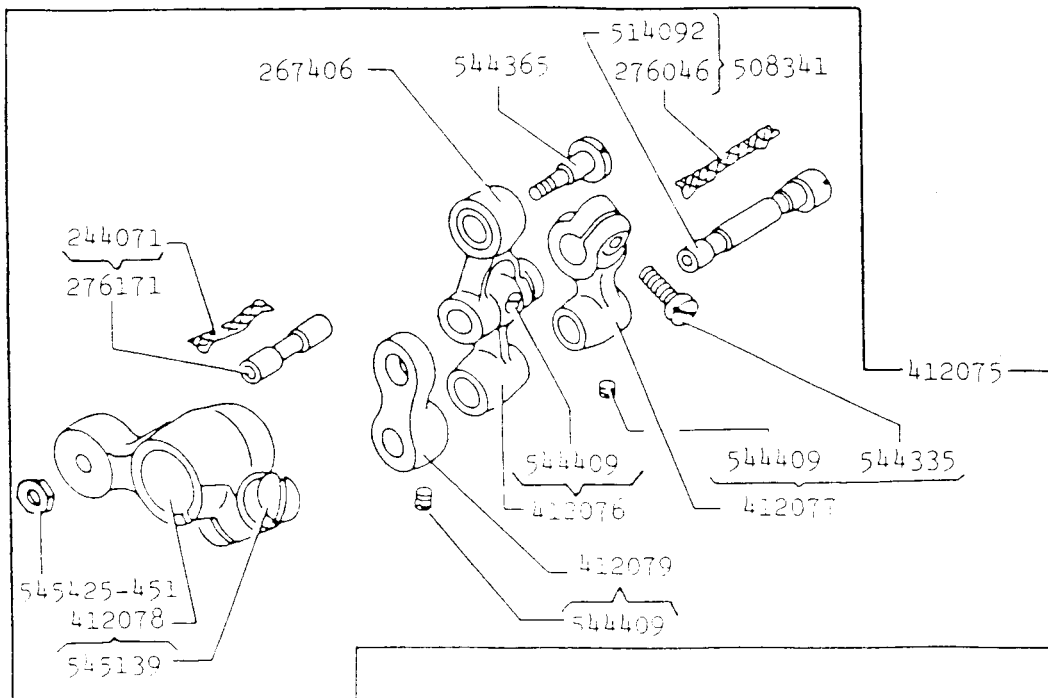
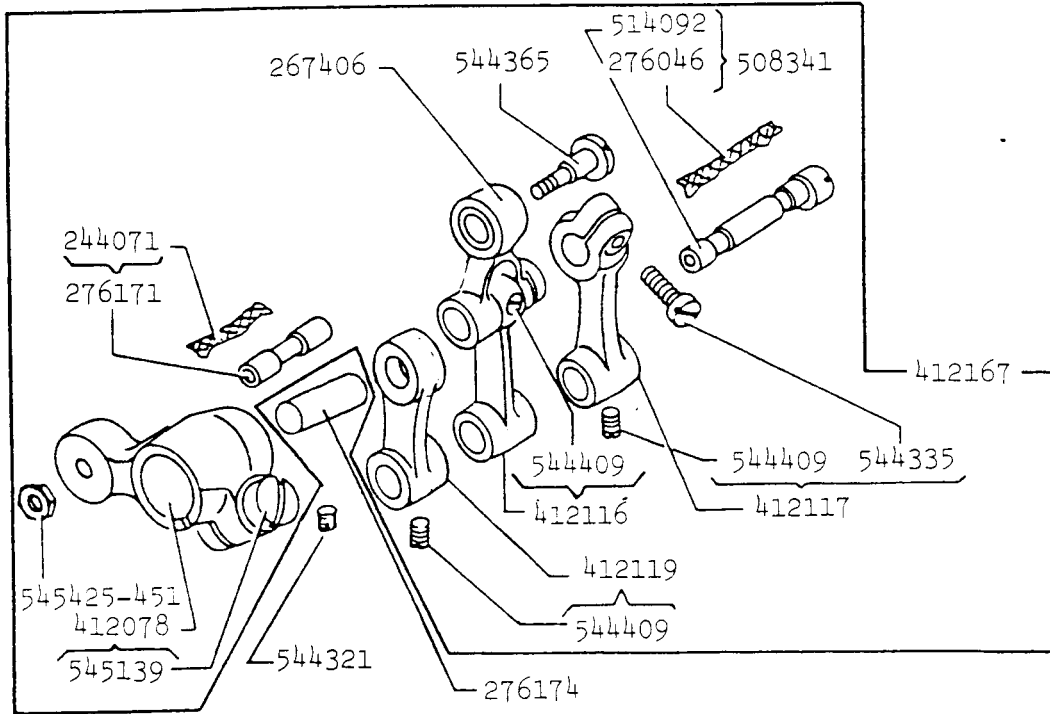
545094 — [part]

412090 — [part]

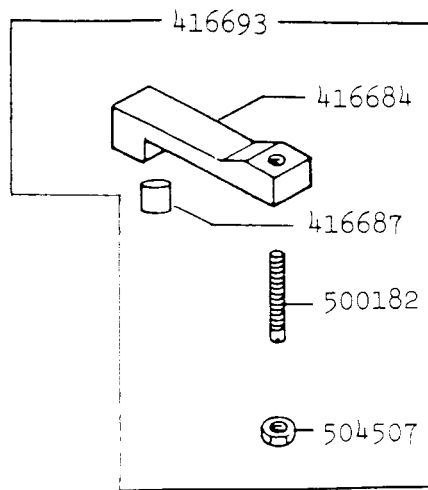
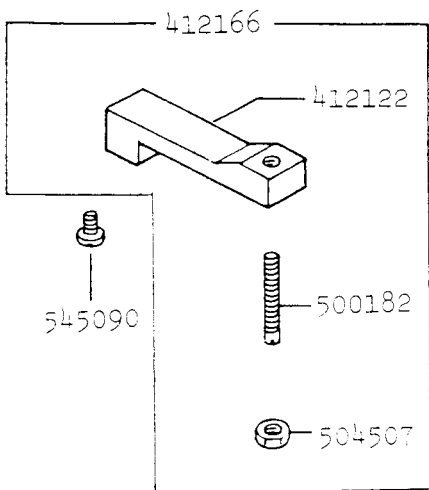
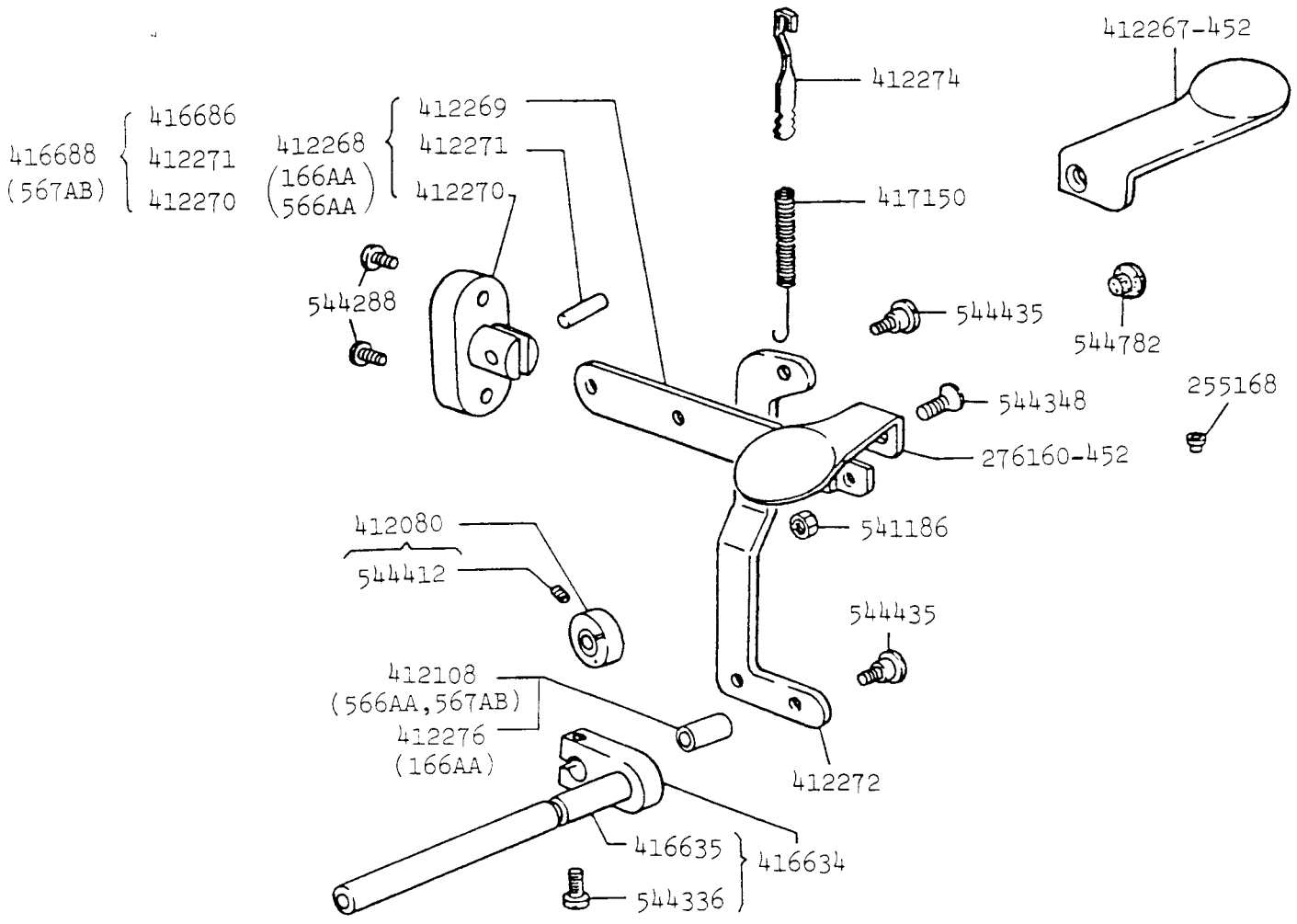
544351 — [part]

544336 — [part]

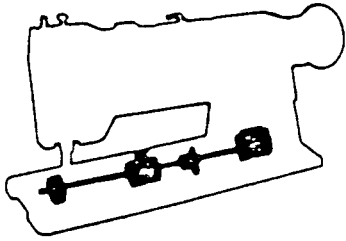
No.	212A141AA 211A157AA 165AA 166AA 566AA 567AB	Description
154780	* * * * *	Feed Driving Rock Shaft Stop Collar Set Screw (4)
223655	* * * * *	Feed Lifting Eccentric Fork Oiling Felt
240147	- - * * *	Feed Dog
264510	- - * * *	Feed Dog (optional)
412021	- - * * *	Feed Driving Rock Frame Complete 412022, 412023, 412089, 545405
412022	* * * * *	Feed Driving Rock Frame with 545154 (2)
412023	- - * * *	Feed Bar Complete 543804-005, 412024, 412025, 544411
412024	- * * * *	Feed Bar
412025	- - * * *	Feed Lifting Eccentric Fork with 223655, 549075
412026	* * * * *	Feed Lifting Eccentric with 544329
412027	- - * - -	Feed Driving Rock Shaft Crank Complete 412090, 544336, 544351, 545094
412089	* * * * *	Feed Bar Hinge Screw
412090	- - * - -	Feed Driving Rock Shaft Crank
508327	* * * * *	Feed Driving Rock Shaft Stop Collar (2) with 154780
515724	- - * * *	Feed Driving Rock Shaft
543804-025	* * * * *	Feed Lifting Eccentric Fork Screw Washer
544329	* * * * *	Feed Lifting Eccentric Set Screw
544336	- - * - -	Feed Driving Eccentric Connection Hinge Stud Screw
544351	- - * - -	Feed Driving Rock Shaft Crank Pinch Screw
544399	* * * * *	Feed Dog Screw (2)
544411	* * * * *	Feed Lifting Eccentric Fork Screw
545094	- - * - -	Feed Driving Rock Shaft Crank Position Screw
545154	* * * * *	Feed Driving Rock Frame Pinch Screw (2)
545405	* * * * *	Feed Bar Hinge Screw Nut
549075	* * * * *	Feed Lifting Eccentric Fork Oiling Felt Screw



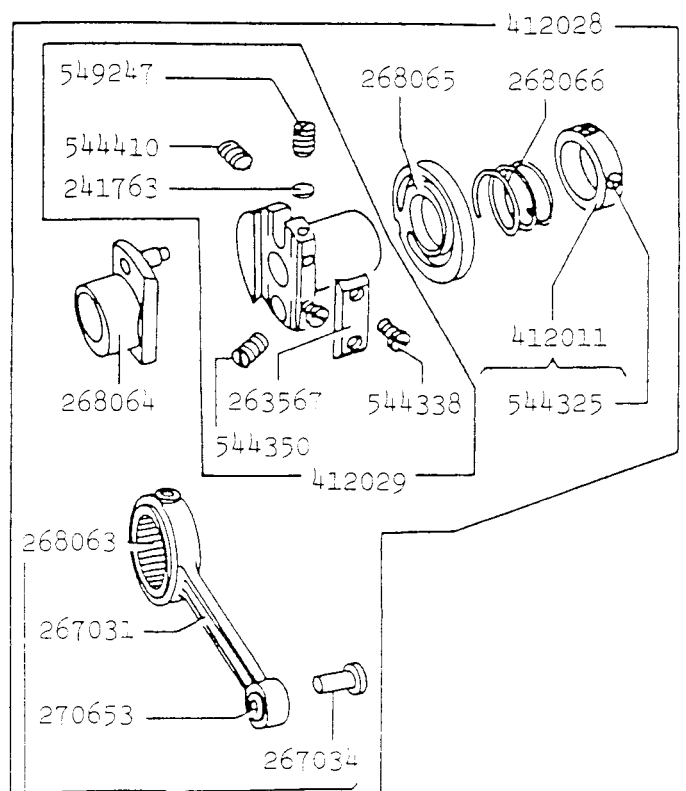
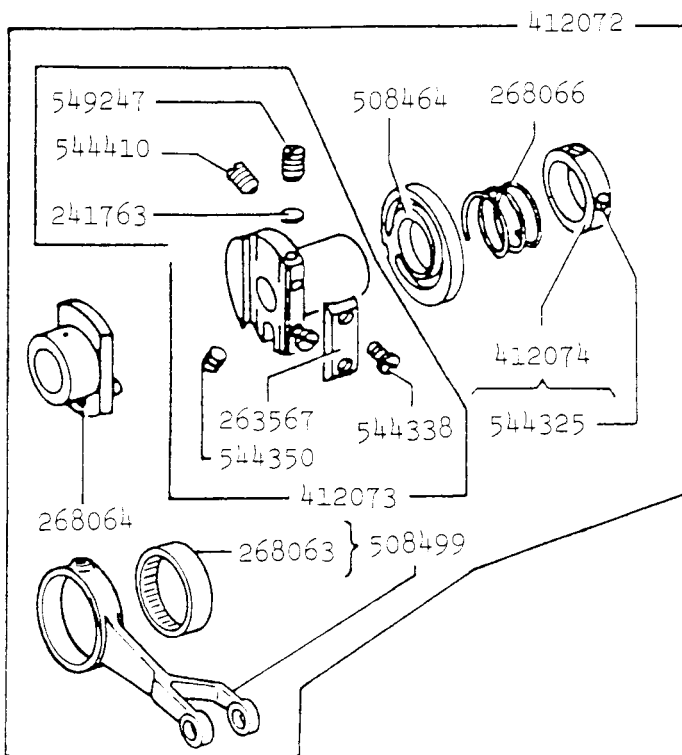
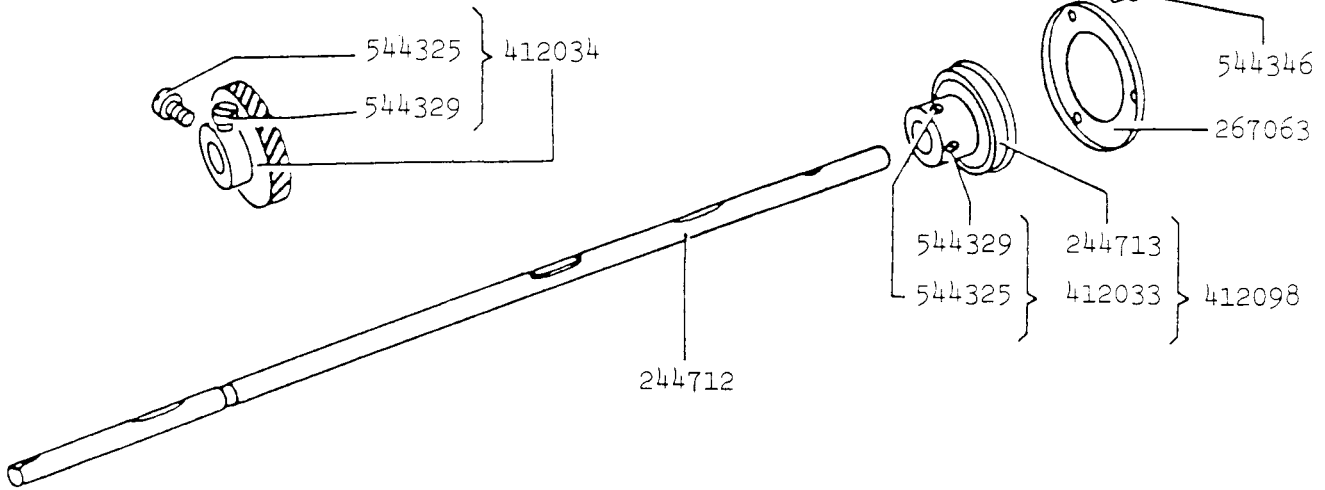
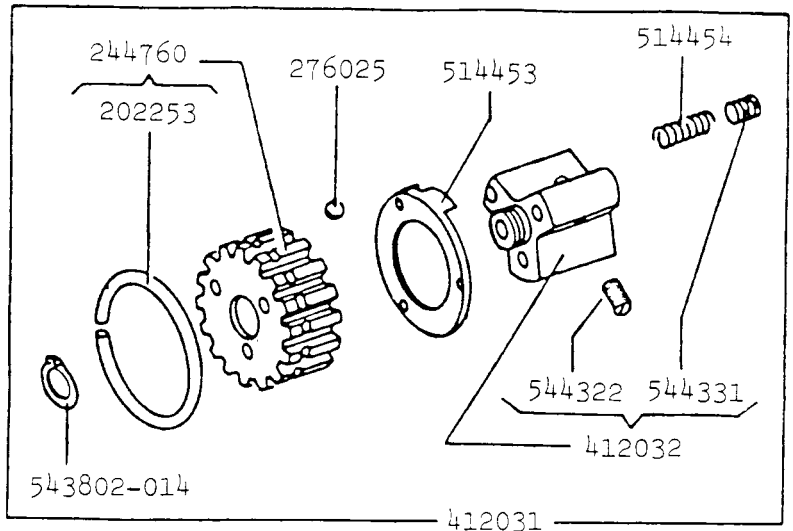
No.	212A141AA 211A157AA 165AA 166AA 566AA 567AB	Description
244071	* * - * * *	Feed Driving Eccentric Connection Link Hinge Pin Oil Packing (wick)
267406	* * - * * *	Feed Driving Eccentric Connection Link
276046	* * - * * *	Feed Reversing Shaft Crank Hinge Stud Oil Packing (wick)
276171	* * - * * *	Feed Driving Eccentric Connection Link Hinge Pin with 244071
276174	* * - * * *	Feed Reversing Mechanism Support Link Stud
412075	* * - * - -	Reverse Feed Complete 267406, 276171, 412076, 412077 412078, 412079, 508341, 544365, 545425-451
412076	* * - * - -	Feed Reversing Shaft Crank Link with 544409
412077	* * - * - -	Feed Reversing Shaft Crank with 544335, 544409
412078	* * - * * *	Feed Reversing Rock Shaft Crank with 545139
412079	* * - * - -	Feed Reversing Mechanism Support Link with 544409
412116	- - - - * *	Feed Reversing Shaft Crank Link with 544409
412117	- - - - * *	Feed Reversing Shaft Crank with 544335, 544409
412119	- - - - * *	Feed Reversing Mechanism Support Link with 544409
412167	- - - - * *	Reverse Feed Complete 267406, 276171, 412078, 412116, 412117, 412119, 508341, 544365, 545425-451
508341	* * - * * *	Feed Reversing Shaft Crank Hinge Stud Complete 276046, 514092
514092	* * - * * *	Feed Reversing Shaft Crank Hinge Stud
544321	* * - * * *	Feed Reversing Mechanism Support Link Stud Set Screw
544335	* * - * * *	Feed Reversing Shaft Crank Pinch Screw
544365	* * - * * *	Feed Driving Rock Shaft Crank Hinge Screw
544409	* * - * * *	Feed Reversing Shaft Crank Hinge Screw
544409	* * - * * *	Feed Driving Eccentric Connection Link Hinge Pin Set Screw
544409	* * - * * *	Feed Reversing Shaft Crank Hinge Stud Set Screw
545139	* * - * * *	Feed Driving Rock Shaft Crank Pinch Screw
545425-451	* * - * * *	Feed Driving Rock Shaft Crank Hinge Screw Nut



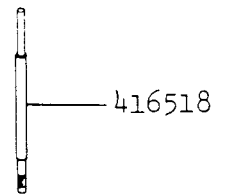
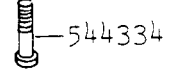
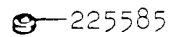
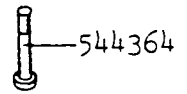
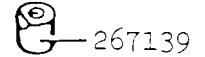
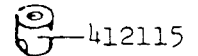
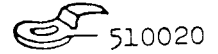
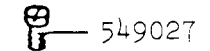
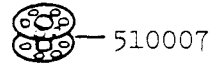
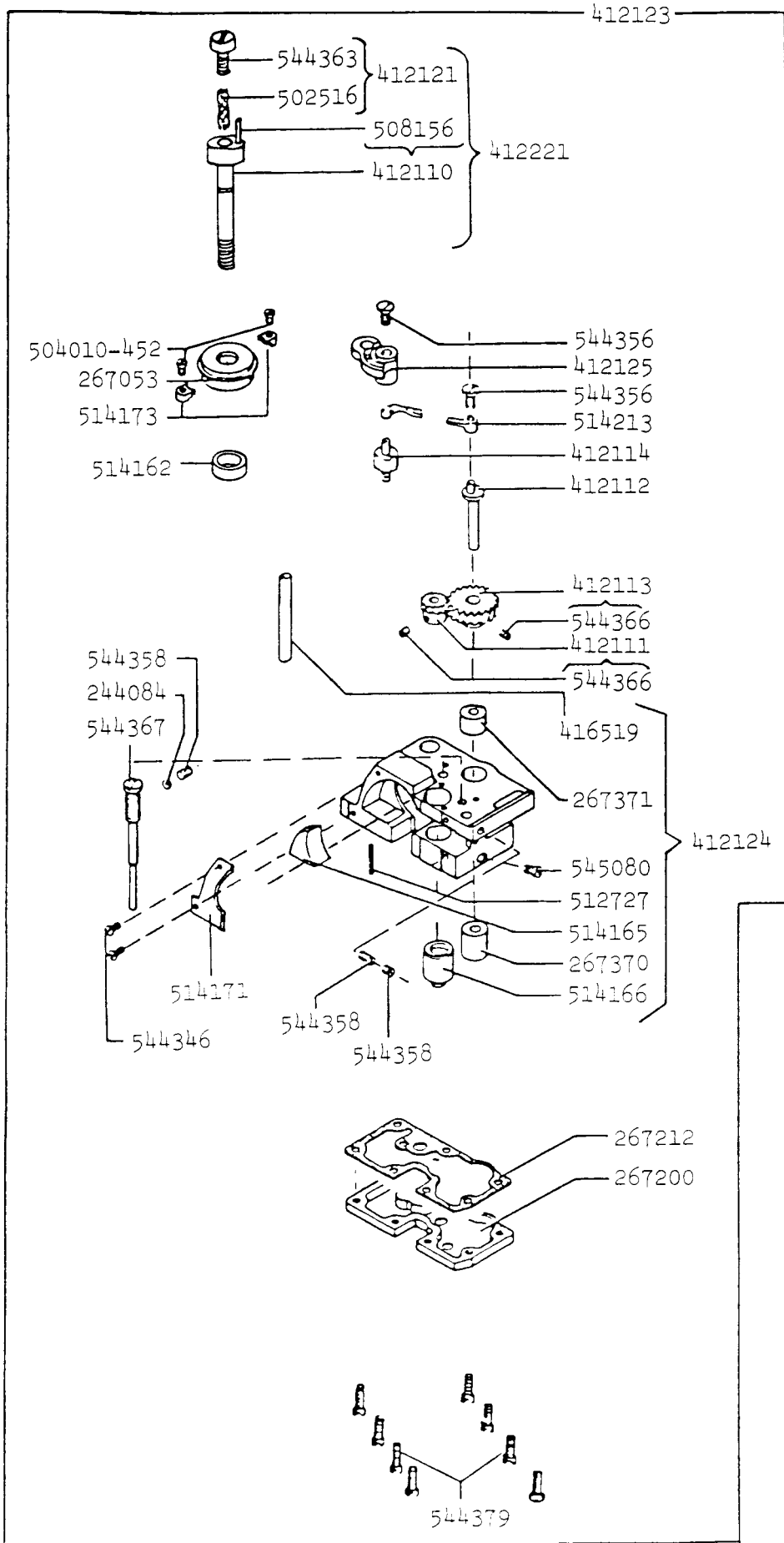
No.	212A141AA 211A157AA 165AA 166AA 566AA 567AB	Description
255168	* * * - * * *	Bed Oil Cup (2)
276160-452	* * * - * * *	Feed Reversing Lever Handle
412080	* * * - * * *	Feed Reversing Lever Spring Collar with 544412 (2)
412108	- - - - * * *	Feed Reversing Shaft Driving Stud
412122	- - - - * -	Stitch Position Stop
412166	- - - - * -	Stitch Position Stop Complete 412122, 500182, 504507
412267-452	* * * - * * *	Feed Reversing Lever Handle (optional)
412268	* * * - * * -	Feed Reversing Lever Complete 412269, 412270, 412271
412269	* * * - * * -	Feed Reversing Lever
412270	* * * - * * *	Feed Reversing Lever Bracket
412271	* * * - * * *	Feed Reversing Lever Hinge Pin
412272	* * * - * * *	Feed Reversing Lever Link
412274	* * * - * * *	Feed Reversing Lever Spring Hook
412276	- * - * - -	Feed Reversing Shaft Driving Stud
416634	* * * - * * *	Feed Reversing Shaft Complete 416635, 544336
416635	* * * - * * *	Feed Reversing Shaft
416684	- - - - - *	Stitch Position Stop
416686	- - - - - *	Feed Reversing Lever
416687	- - - - - *	Stitch Position Stop Cushion
416688	- - - - - *	Feed Reversing Lever Complete 416686, 412270, 412271
416693	- - - - - *	Stitch Position Stop Complete 416684, 416687, 500182, 504507
417150	- - - * * *	Feed Reversing Lever Spring
500182	- - - - * *	Stitch Position Stop Screw
504507	- - - - * *	Stitch Position Stop Screw Nut
541186	* * * - * * *	Feed Reversing Lever Handle Screw Nut
544288	* * * - * * *	Feed Reversing Lever Bracket Screw (2)
544336	* * * - * * *	Feed Reversing Shaft Driving Stud Pinch Screw
544348	* * * - * * *	Feed Reversing Lever Handle Screw
544412	* * * - * * *	Feed Reversing Lever Spring Collar Set Screw (2)
544435	* * * - * * *	Feed Reversing Lever Hinge Screw (2)
544782	* * * - * * *	Arm Cap (rear)
545090	- - - - * *	Stitch Position Stop Set Screw (2)



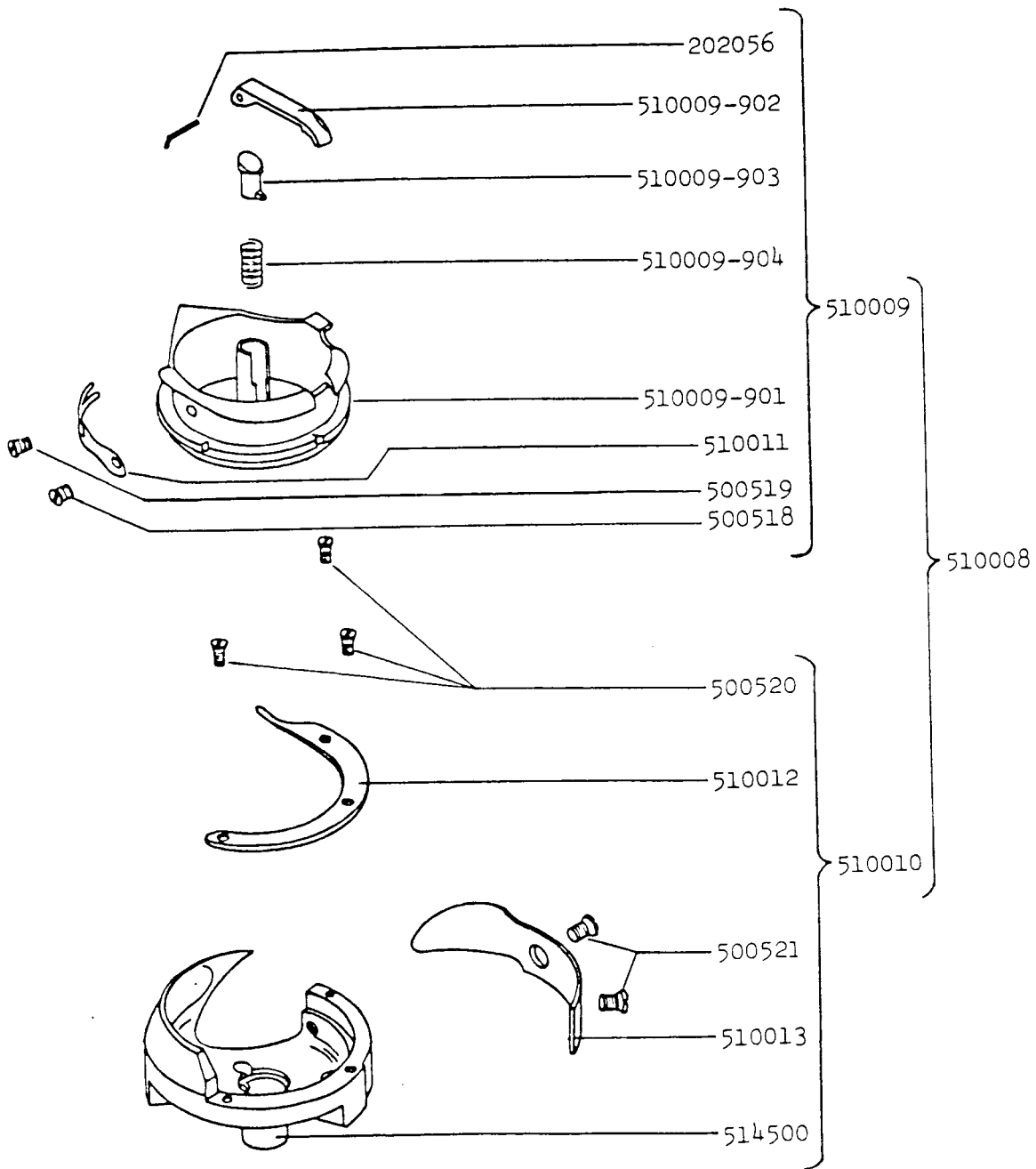
- 267245 — [Screw]
- 270026 — [Spring]
- 240245 — [Foot]



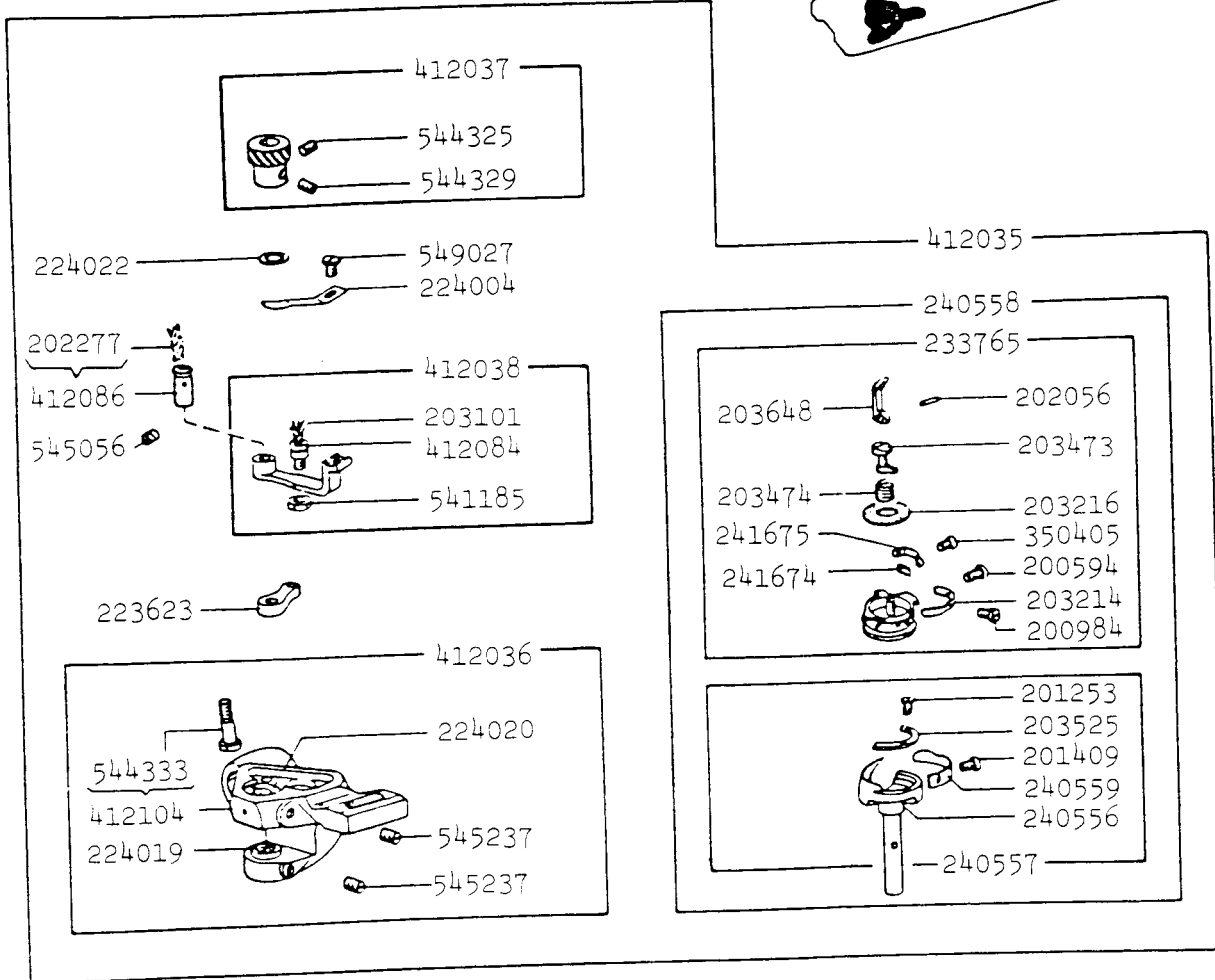
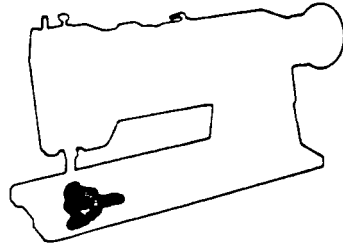
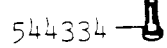
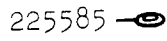
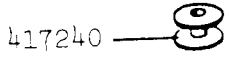
No.	212A141AA 211A157AA 165AA 166AA 566AA 567AB	Description
202253	- * * * * *	Safety Clutch Belt Pulley Spring
240245	* * * * * *	Feed Regulating Stud Retaining Spring
241763	* * * * * *	Feed Driving Eccentric Friction Plate Screw Set Screw Packing (brass) (2)
244712	- * * * * *	Hook Driving Shaft
244713	* * * * * *	Hook Driving Shaft Ball Bearing
244760	- * * * * *	Safety Clutch Belt Pulley with 202253
263567	* * * * * *	Feed Driving Eccentric Friction Plate
267031	- - * - - -	Feed Driving Eccentric Connection
267032	- - * - - -	Feed Driving Eccentric Connection Complete 267031, 267034, 268063, 270653
267034	- - * - - -	Feed Driving Eccentric Connection Hinge Stud
267063	* * * * * *	Hook Driving Shaft Ball Bearing Retaining Washer
267245	* * * * * *	Feed Regulating Stud
268063	* * * * * *	Feed Driving Eccentric Connection Needle Bearing
268064	* * * * * *	Feed Driving Eccentric
268065	* * * - - -	Feed Driving Eccentric Adjusting Disc
268066	* * * * * *	Feed Driving Eccentric Adjusting Disc Spring
270026	* * * * * *	Feed Regulating Stud Spring
270653	- - * - - -	Feed Driving Eccentric Connection Hinge Stud Needle Bearing
276025	- * * * * *	Safety Clutch Driving Ball (7/32 in. diameter) (3)
412011	* * * - - -	Feed Driving Eccentric Adjusting Disc Spring Collar with 544325 (2)
412028	- - * - - -	Feed Driving Eccentric Complete 268064, 268065, 268066, 412011, 412029
412029	* * * - - -	Feed Driving Flange with 241763 (2), 263567, 544338 (2), 544350, 544410, 549247 (2)
412031	- * * * * *	Safety Clutch Complete 244760, 276025 (3), 412032, 514453, 514454 (3), 543802-014
412032	- * * * * *	Safety Clutch Overload Pulley with 544322 (2), 544331 (3))
412033	* * * * * *	Hook Driving Shaft Ball Bearing Collar with 544325, 544329
412034	* * * * * *	Hook Driving Gear with 544325, 544329
412072	- - - * * *	Feed Driving Eccentric Complete 268064, 268066, 412073, 412074, 508464, 508499
412073	- - - * * *	Feed Driving Flange with 241763 (2), 263567, 544338 (2), 544350 (2), 544410, 549247 (2)
412074	- - - * * *	Feed Driving Eccentric Adjusting Disc Spring Collar with 544325 (2)
412098	* * * * * *	Hook Driving Shaft Ball Bearing Collar Complete 244713, 412033
508464	- - - * * *	Feed Driving Eccentric Adjusting Disc
508499	* * - * * *	Feed Driving Eccentric Connection with 268063
514453	- * * * * *	Safety Clutch Disc
514454	- * * * * *	Safety Clutch Driving Ball Spring (3)
543802-014	- * * * * *	Safety Clutch Overload Pulley Retaining Ring
544322	- * * * * *	Safety Clutch Overload Pulley Set Screw (2)
544325	* * * * * *	Feed Driving Eccentric Adjusting Disc Spring Collar Set Screw (2)
544325	* * * * * *	Hook Driving Shaft Ball Bearing Collar Set Screw
544325	* * * * * *	Hook Driving Gear Set Screw
544329	* * * * * *	Hook Driving Shaft Ball Bearing Collar Position Screw
544329	* * * * * *	Hook Driving Gear Position Screw
544331	- * * * * *	Safety Clutch Overload Pulley Adjusting Screw (3)
544338	* * * * * *	Feed Driving Eccentric Friction Plate Screw (2)
544346	* * * * * *	Hook Driving Shaft Ball Bearing Retaining Washer Screw (3)
544350	* * * * * *	Feed Driving Flange Set Screw (1)



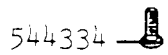
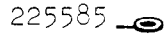
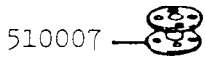
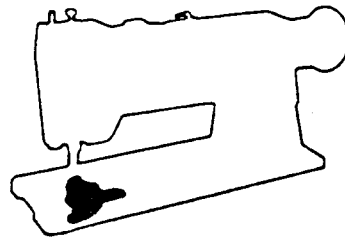
No.	212A141AA 211A157AA 165AA 166AA 566AA 567AB	Description
225585	* * * * *	Hook Saddle Screw Washer
244084	* * - - *	Hook Saddle Oil Regulating Screw Check Screw Packing
267053	* * - - *	Hook Ball Bearing
267139	* * - - *	Pinch Sleeve (lower)
267200	* * - - *	Hook Saddle Oil Reservoir
267212	* * - - *	Hook Saddle Oil Reservoir Gasket
267370	* * - - *	Bobbin Case Opener Driving Cam Shaft Bushing (lower)
267371	* * - - *	Bobbin Case Opener Driving Cam Shaft Bushing (upper)
412110	- - - - *	Hook Shaft with 508156
412111	* * - - *	Hook Driving Pinion (spiral) with 544366 (2)
412112	* * - - *	Bobbin Case Opener Cam Shaft
412113	* * - - *	Bobbin Case Opener Driving Cam Shaft Gear (spiral) with 544366 (2)
412114	- - - - *	Bobbin Case Opener Crank Hinge Stud
412115	* * - - *	Pinch Sleeve (upper)
412121	- - - - *	Hook Shaft Oil Wick Holder Complete 502516, 544363
412123	- - - - *	Hook Saddle (right) Complete 244084, 267053, 267200, 267212, 412111, 412112, 412113, 412114, 412124, 412125, 412221, 504010-452 (2), 514162, 514171, 514173 (2), 514213, 544346 (2), 544356 (2), 544358 (3), 544367, 544379 (8)
412124	* * - - *	Hook Saddle (right) with 267370, 267371, 416519, 512727, 514165, 514166, 545080
412125	- - - - *	Bobbin Case Opener Crank
412221	- - - - *	Hook Shaft, Hook Shaft Oil Wick Holder Complete 412110, 412121
416518	* * - - *	Hook Saddle Oil Gauge
416519	* * - - *	Hook Saddle Oil Gauge Sleeve
502516	- - - - *	Hook Shaft Oil Wick
504010-452	* * - - *	Hook Ball Bearing Retainer Screw (2)
508156	- - - - *	Hook Shaft Parallel Pin
510007	- - - - *	Bobbin
510020	- - - - *	Bobbin Case Opener
512727	* * - - *	Hook Saddle Oil Wick
514162	- - - - *	Spacer
514165	* * - - *	Hook Saddle Foam Cushion
514166	* * - - *	Hook Shaft Bushing
514170	- - - - *	Hook Spacer (7)
514171	* * - - *	Hook Saddle Cover Plate
514173	* * - - *	Hook Ball Bearing Retainer (2)
514213	* * - - *	Bobbin Case Opener Link
544334	* * * * *	Hook Saddle Screw
544346	* * - - *	Hook Saddle Cover Plate Screw (2)
544356	* * - - *	Bobbin Case Opener Crank Cap Screw
544356	* * - - *	Bobbin Case Opener Link Cap Screw
544358	* * - - *	Hook Saddle Oil Regulating Screw Check Screw
544358	* * - - *	Bobbin Case Opener Crank Hinge Stud Set Screw
544358	* * - - *	Bobbin Case Opener Crank Hinge Stud Set Screw Check Screw
544363	- - - - *	Hook Shaft Oil Wick Holder
544364	* * - - *	Pinch Sleeve Screw
544366	* * - - *	Bobbin Case Opener Driving Cam Shaft Gear (spiral) Set Screw (2)
544366	* * - - *	Hook Driving Pinion (spiral) Set Screw (2)
544367	* * - - *	Hook Saddle Oil Regulating Screw
544379	* * - - *	Hook Saddle Oil Reservoir Screw (3)



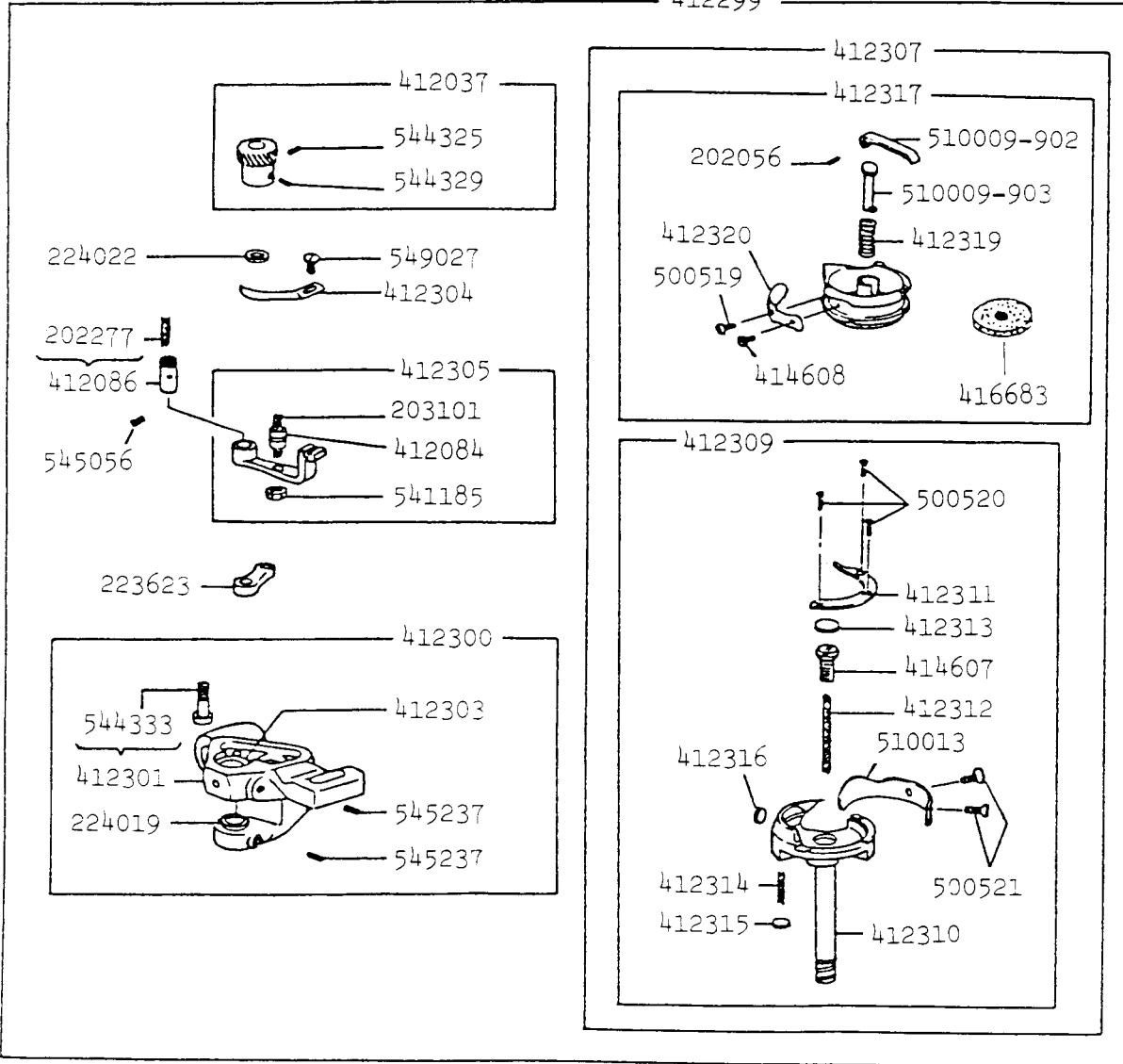
No.	212A141AA 211A157AA 165AA 166AA 566AA 567AB	Description
202056	* * * * *	Bobbin Case Latch Pin
500518	- - - - *	Bobbin Case Tension Spring Screw
500519	- - - - * *	Bobbin Case Tension Spring Regulating Screw
500520	- - - - * *	Hook Gib Screw (3)
500521	- - - - * *	Hook Needle Guard Screw (2)
510008	- - - - * -	Hook and Bobbin Case Complete 510009, 510010
510009	- - - - * -	Bobbin Case Complete 202056, 500518, 500519, 510009-901, 510009-902, 510009-903, 510009-904, 510011
510009-901	- - - - * -	Bobbin Case Body
510009-902	- - - - * *	Bobbin Case Latch
510009-903	- - - - * *	Bobbin Case Latch Plunger
510009-904	- - - - * -	Bobbin Case Latch Spring
510010	- - - - * -	Hook Complete 500520 (3), 500521 (2), 510012, 510013, 514500
510011	- - - - * -	Bobbin Case Tension Spring
510012	- - - - * -	Hook Gib
510013	- - - - * *	Hook Needle Guard
514500	- - - - * -	Hook Body



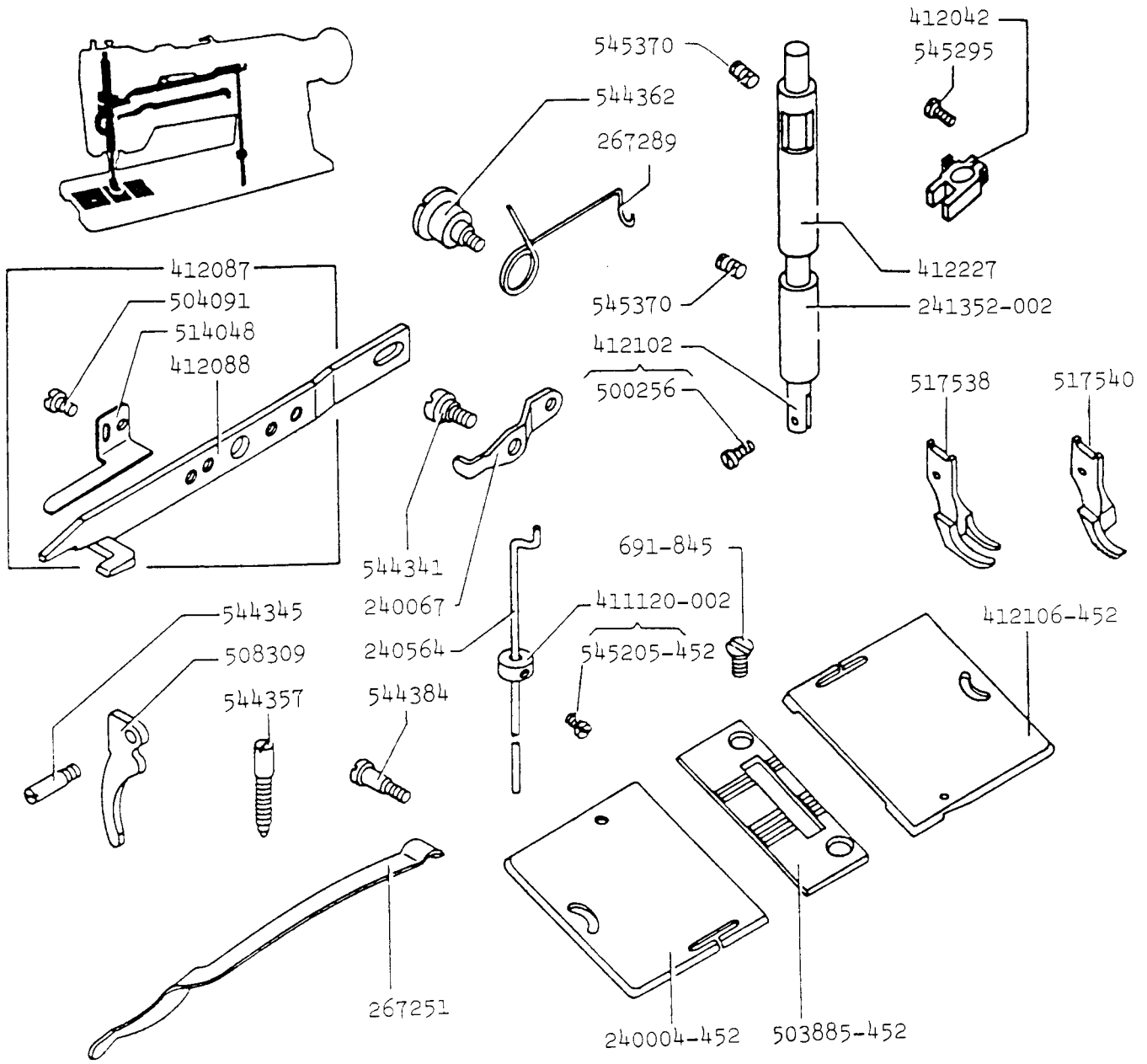
No.	212A141AA 211A157AA 165AA 166AA 566AA 567AB	Description
200594	* * * * - -	Bobbin Case Tension Spring Screw
200984	- * * * - -	Bobbin Case Tension Spring Regulating Screw
201253	* * * * - -	Hook Gib Screw (2)
201409	* * * * - -	Hook Needle Guard Screw (2)
202056	* * * * * *	Bobbin Case Latch Pin
202277	- - * * - *	Bobbin Case Opener Lever Hinge Stud Oil Packing Wick
203101	- - * * - *	Bobbin Case Opener Lever Driving Screw Stud Oil Packing Wick
203214	- * * * - -	Bobbin Case Tension Spring
203216	* * * * - -	Bobbin Case Washer
203473	* * * * - -	Bobbin Case Latch Plunger
203474	* * * * - -	Bobbin Case Latch Spring
203525	- - * * - -	Hook Gib
203648	* * * * - -	Bobbin Case Latch
223623	- - * * - *	Bobbin Case Opener Lever Link
224004	- - * * - -	Bobbin Case Opener
224019	- - * * - *	Hook Bushing
224020	- - * * - -	Hook Bushing (upper)
224022	- - * * - *	Bobbin Case Opener Thrust Washer
225585	* * * * * *	Hook Saddle Screw Washer
233765	- - * * - -	Bobbin Case with 200594, 200984, 202056, 203214, 203216, 203473, 203474, 203648, 241674, 241675, 350405 (2)
240556	- - * * - -	Hook Body
240557	- - * * - -	Hook Body Complete 201253 (2), 201409 (2), 203525, 240556, 240559
240558	- - * * - -	Hook and Bobbin Case Complete 233765, 240557
240559	- - * * - -	Hook Needle Guard
241674	- * * * - -	Bobbin Case Oiling Felt
241675	- * * * - -	Bobbin Case Oiling Felt Retainer
350405	- * * * - -	Bobbin Case Oiling Felt Retainer Screw (2)
412035	- - * * - -	Hook Saddle Complete 223623, 224004, 224022, 240558, 412036, 412037, 412038, 412086, 545056, 549027
412036	- - * * - -	Hook Saddle Body Complete 224019, 224020, 412104, 545237 (2)
412037	- - * * - *	Hook Driving Pinion with 544325, 544329
412038	- - * * - -	Bobbin Case Opener Lever with 203101, 412084, 541185
412084	- - * * - *	Bobbin Case Opener Lever Driving Screw Stud
412086	- - * * - *	Bobbin Case Opener Lever Hinge Stud with 202277
412104	- - * * - -	Hook Saddle with 544333
417240	* * * * - -	Bobbin
541185	- - * * - *	Bobbin Case Opener Lever Driving Screw Stud Nut
544325	- - * * - *	Hook Driving Pinion Set Screw
544329	- - * * - *	Hook Driving Pinion Position Screw
544333	- - * * - *	Hook Saddle Pinch Screw
544334	* * * * * *	Hook Saddle Screw
545056	- - * * - *	Bobbin Case Opener Lever Hinge Stud Set Screw
545237	- - * * - *	Hook Bushing (lower) Set Screw
545237	- - * * - *	Hook Bushing (upper) Position Screw
549027	* * * * * *	Bobbin Case Opener Screw

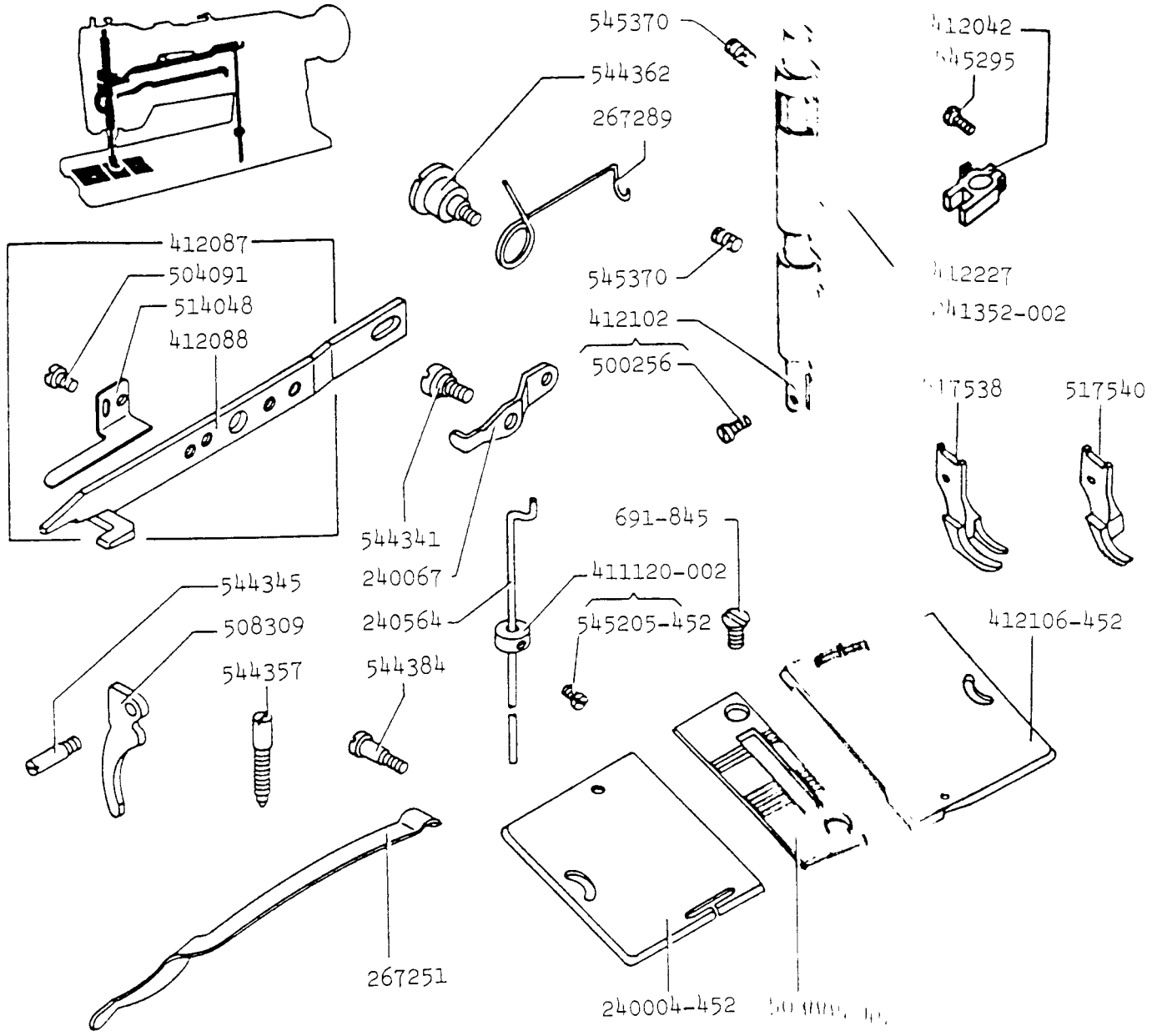


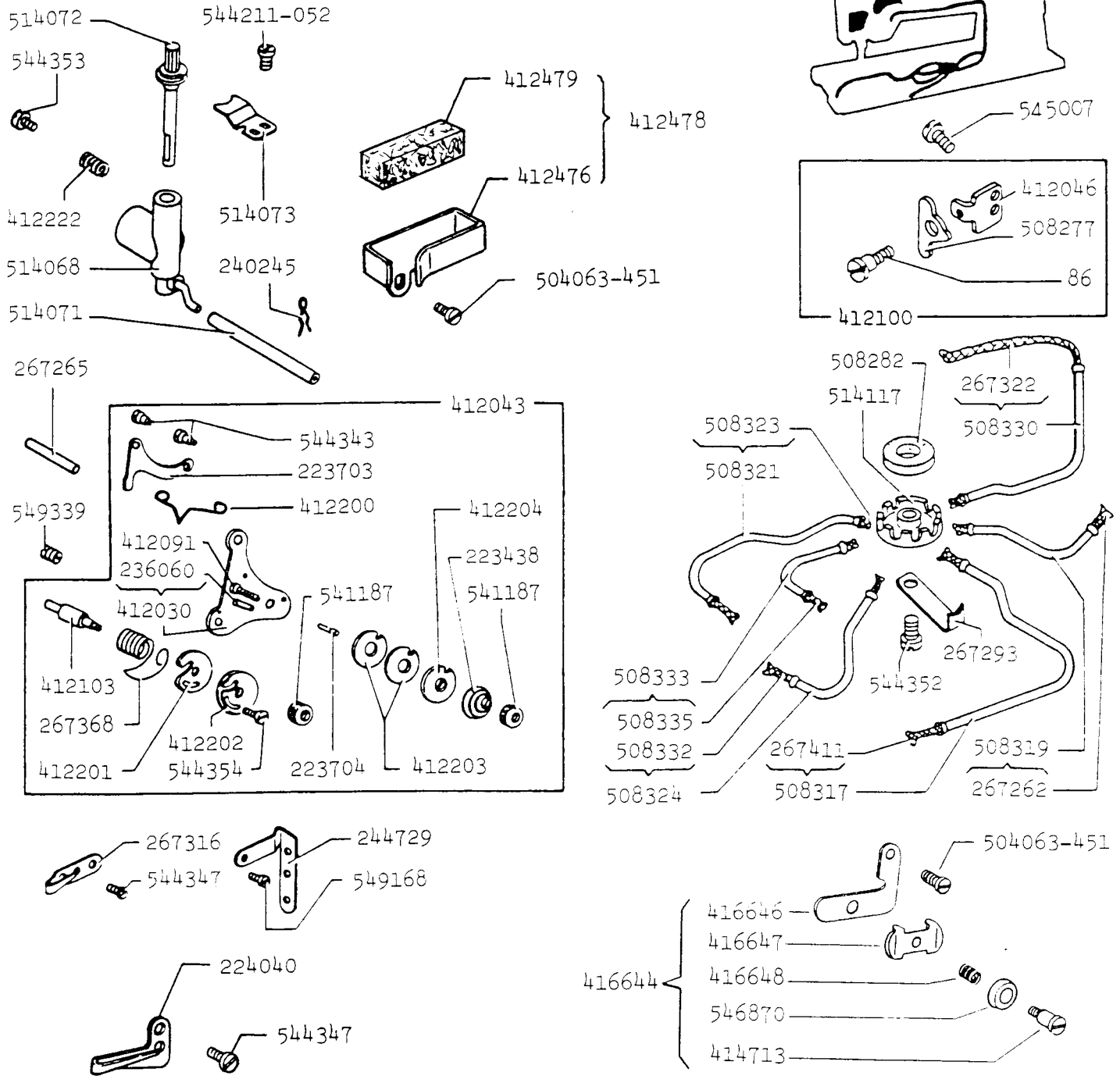
412299



No.	212A141AA 211A157AA 165AA 166AA 566AA 567AB	Description
202056	* * * * *	Bobbin Case Latch Pin
202277	- - * * - *	Bobbin Case Opener Lever Hinge Stud Oil Packing Wick
203101	- - * * - *	Bobbin Case Opener Lever Driving Screw Stud Oil Packing Wick
223623	- - * * - *	Bobbin Case Opener Lever Link
224019	- - * * - *	Hook Bushing (lower)
224022	- - * * - *	Hook Driving Pinion Thrust Washer
225585	* * * * *	Hook Saddle Screw Washer
412037	- - * * - *	Hook Driving Pinion with 544325, 544329
412084	- - * * - *	Bobbin Case Opener Lever Driving Screw Stud
412086	- - * * - *	Bobbin Case Opener Lever Hinge Stud with 202277
412299	- - - - - *	Hook Saddle and Hook Complete 223623, 224022, 412037, 412086, 412300, 412304, 412305, 412307, 545056, 549027
412300	- - - - - *	Hook Saddle Complete 224019, 412301, 412303, 545237 (2)
412301	- - - - - *	Hook Saddle with 544333
412303	- - - - - *	Hook Bushing (upper)
412304	- - - - - *	Bobbin Case Opener
412305	- - - - - *	Bobbin Case Opener Lever with 203101, 412084, 541185
412307	- - - - - *	Hook and Bobbin Case Complete 412309, 412317
412309	- - - - - *	Hook Complete 412310, 412311, 412312, 412313, 412314, 412315, 412316, 414607, 500520 (3), 500521 (2), 510013
412310	- - - - - *	Hook Body
412311	- - - - - *	Hook gib
412312	- - - - - *	Hook Shaft Oil Wick
412313	- - - - - *	Hook Shaft Oil Cap
412314	- - - - - *	Hook Oil Wick
412315	- - - - - *	Hook Oil Wick Cap
412316	- - - - - *	Hook Oil Hole Cap
412317	- - - - - *	Bobbin Case with 202056, 412319, 412320, 414608, 416683, 500519, 510009-902, 510009-903
412319	- - - - - *	Bobbin Case Latch Spring
412320	- - - - - *	Bobbin Case Tension Spring
414607	- - - - - *	Hook Shaft Oil Wick Holder
414608	- - - - - *	Bobbin Case Tension Spring Screw
416683	- - - - * *	Bobbin Case Washer
500519	- - - - * *	Bobbin Case Tension Spring Regulating Screw
500520	- - - - * *	Hook Gib Screw (3)
500521	- - - - * *	Hook Needle Guard Screw (2)
510007	- - - - * *	Bobbin
510009-902	- - - - * *	Bobbin Case Latch
510009-903	- - - - * *	Bobbin Case Latch Plunger
510013	- - - - * *	Hook Needle Guard
541185	- - * * - *	Bobbin Case Opener Lever Driving Screw Stud Nut
544325	- - * * - *	Hook Driving Pinion Set Screw
544329	- - * * - *	Hook Driving Pinion Position Screw
544333	- - * * - *	Hook Saddle Pinch Screw
544334	* * * * *	Hook Saddle Screw
545056	- - * * - *	Bobbin Case Opener Lever Hinge Stud Set Screw
545237	- - * * - *	Hook Bushing (lower) Set Screw
545237	- - * * - *	Hook Bushing (upper) Set Screw
549027	* * * * *	Bobbin Case Opener Screw



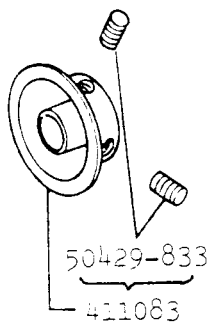
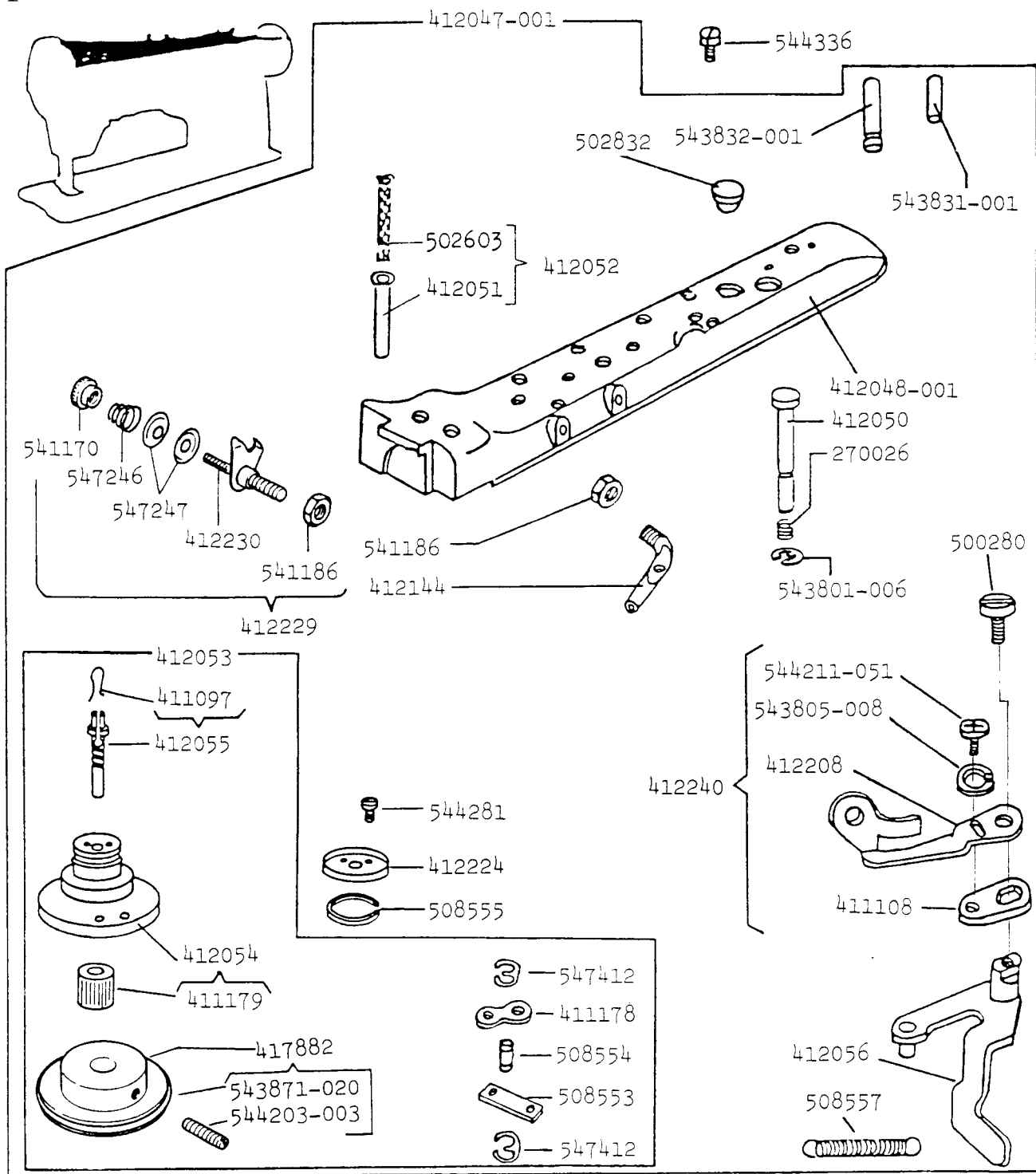




From the library of: Diamond Needle Corp

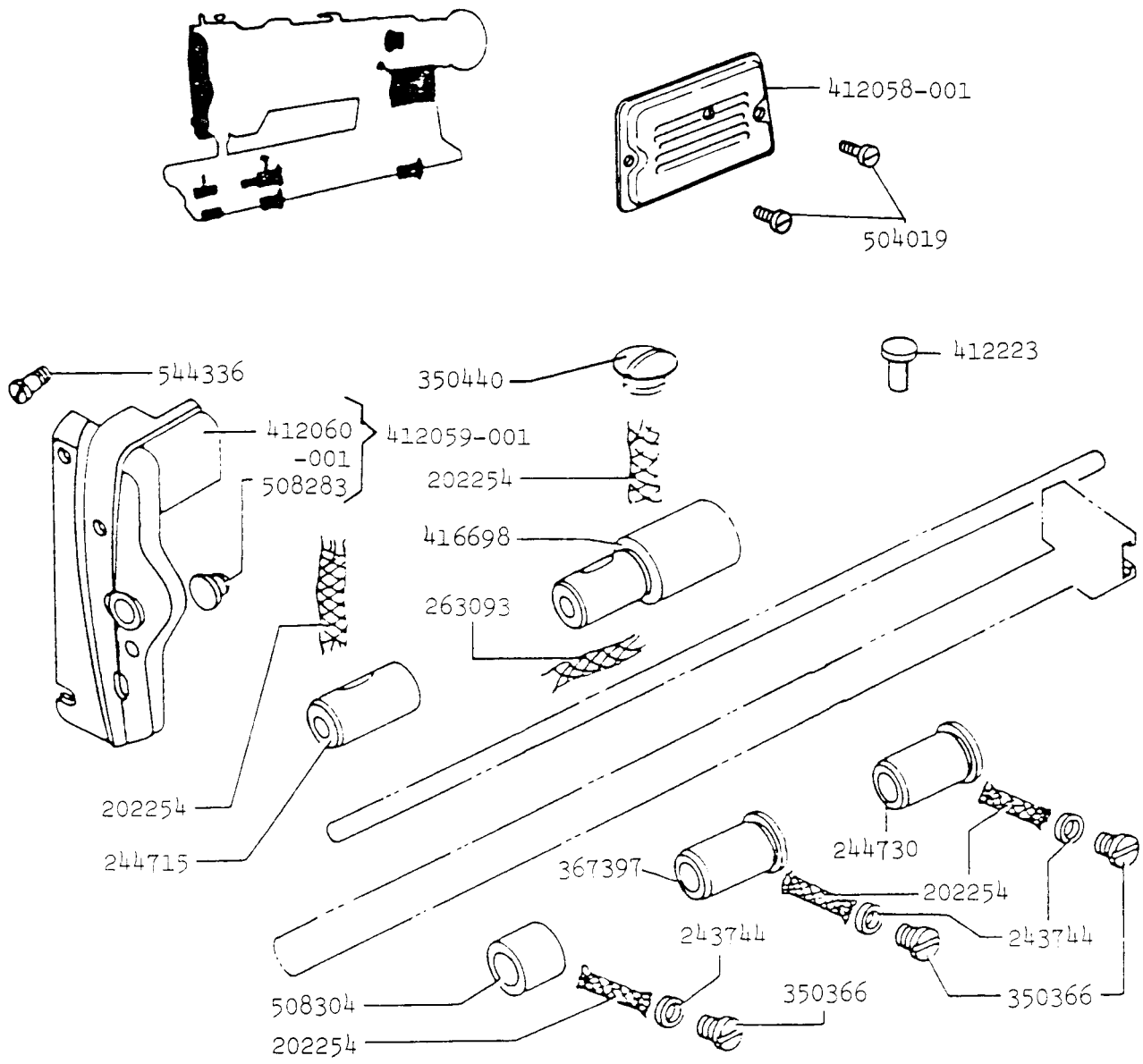
No.	212A141AA 211A157AA 165AA 166AA 566AA 567AB	Description
86	- - * * * *	Tension Release Bell Crank Hinge Screw
223438	- * * * * *	Tension Spring
223703	* * * * * *	Tension Release Lever
223704	* * * * * *	Tension Release Plunger
224040	* * * * * *	Thread Guide (lower)
236060	* * * * * *	Tension Disc Position Pin
240245	- - * * * *	Thread Lubricating Reservoir Oil Tube Clamp
244729	- * * * * *	Thread Retainer
267262	- * * * * *	Feed Driving Rock Shaft Bushing Oil Tube Wick
267265	* * * * * *	Tension Release Lever Rod
267265	* * * * * *	Red Oil Tube Clamp

No.	212A141AA 211A157AA 165AA 166AA 566AA 567AB	Description
267316	* * * * *	Thread Guide
267322	* * * * *	Bed Oil Supply Tube Oil Wick
267368	* * * * *	Thread Controller Spring
267411	* * * * *	Feed Driving Rock Shaft Bushing Oil Tube Wick
412030	- * * * *	Tension Bracket with 236060, 412091
412043	- * * * *	Tension Bracket Complete 223438, 223703, 223704, 267368, 412030, 412103, 412200, 412201, 412202, 412203, 412204, 541187 (2), 544343 (2), 544354 (2)
412046	- - * * *	Tension Release Bracket
412091	* * * * *	Tension Stud
412100	- - * * *	Tension Release Bracket Complete 86, 412046, 508277
412103	* * * * *	Thread Controller Stud
412200	* * * * *	Tension Release Lever Spring
412201	* * * * *	Thread Controller Spring Stop
412202	* * * * *	Thread Controller Disc
412203	* * * * *	Tension Disc (2)
412204	* * * * *	Tension Release Washer
412222	- - * * *	Thread Lubricating Reservoir Clamping Spring
412476	- * * * *	Thread Lubricator Oil Pad Holder
412478	- * * * *	Thread Lubricator Oil Pad Holder Complete 412476, 412479
412479	- * * * *	Thread Lubricator Oil Pad
414713	- - - - *	Needle Thread Nipper Hinge Screw
416644	- - - - *	Needle Thread Nipper Complete 414713, 416646, 416647, 416648, 546870
416646	- - - - *	Needle Thread Nipper Bracket
416647	- - - - *	Needle Thread Nipper Thread Guide
416648	- - - - *	Needle Thread Nipper Spring
504063-451	- - - - *	Needle Thread Nipper Screw
504063-451	- * * * *	Thread Lubricator Plate Screw
508277	- - * * *	Tension Release Bell Crank
508282	* * * * *	Bed Oil Tube Clamp Oiling Felt
508317	- * * * *	Feed Driving Rock Shaft Bushing Oil Tube with 267411
508319	- * * * *	Feed Driving Rock Shaft Bushing Oil Tube with 267262
508321	- * * * *	Hook Driving Shaft Bearing Left Oil Tube with 508323
508323	- * * * *	Hook Driving Shaft Bearing Left Oil Tube Wick
508324	- * * * *	Hook Saddle Bearing Oil Tube with 508332
508330	- * * * *	Bed Oil Supply Tube with 267322
508332	- * * * *	Hook Saddle Bearing Oil Tube Wick
508333	- * * * *	Feed Driving Eccentric Connection Oil Tube with 508335
508335	- * * * *	Feed Driving Eccentric Connection Oil Tube Wick
514068	- - * * *	Thread Lubricating Reservoir
514071	- - * * *	Thread Lubricating Reservoir Oil Tube
514072	- - * * *	Thread Lubricating Reservoir Stud
514073	- - * * *	Thread Lubricating Regulator Spring
514117	* * * * *	Bed Oil Tube Clamp
541187	* * * * *	Tension Thumb Nut (2)
544211-052	- - * * *	Thread Lubricating Regulator Spring Set Screw (2)
544343	* * * * *	Tension Release Lever Hinge Stud (2)
544347	* * * * *	Thread Guide (lower) Screw
54-347	* * * * *	Thread Guide Screw
544352	* * * * *	Bed Oil Tube Clamp Screw
544353	- - * * *	Thread Lubricating Reservoir Clamping Spring Screw
544354	* * * * *	Thread Controller Disc Screw
545007	- - * * *	Tension Release Bracket Screw (2)
546870	- - - - *	Needle Thread Nipper Spring Cap



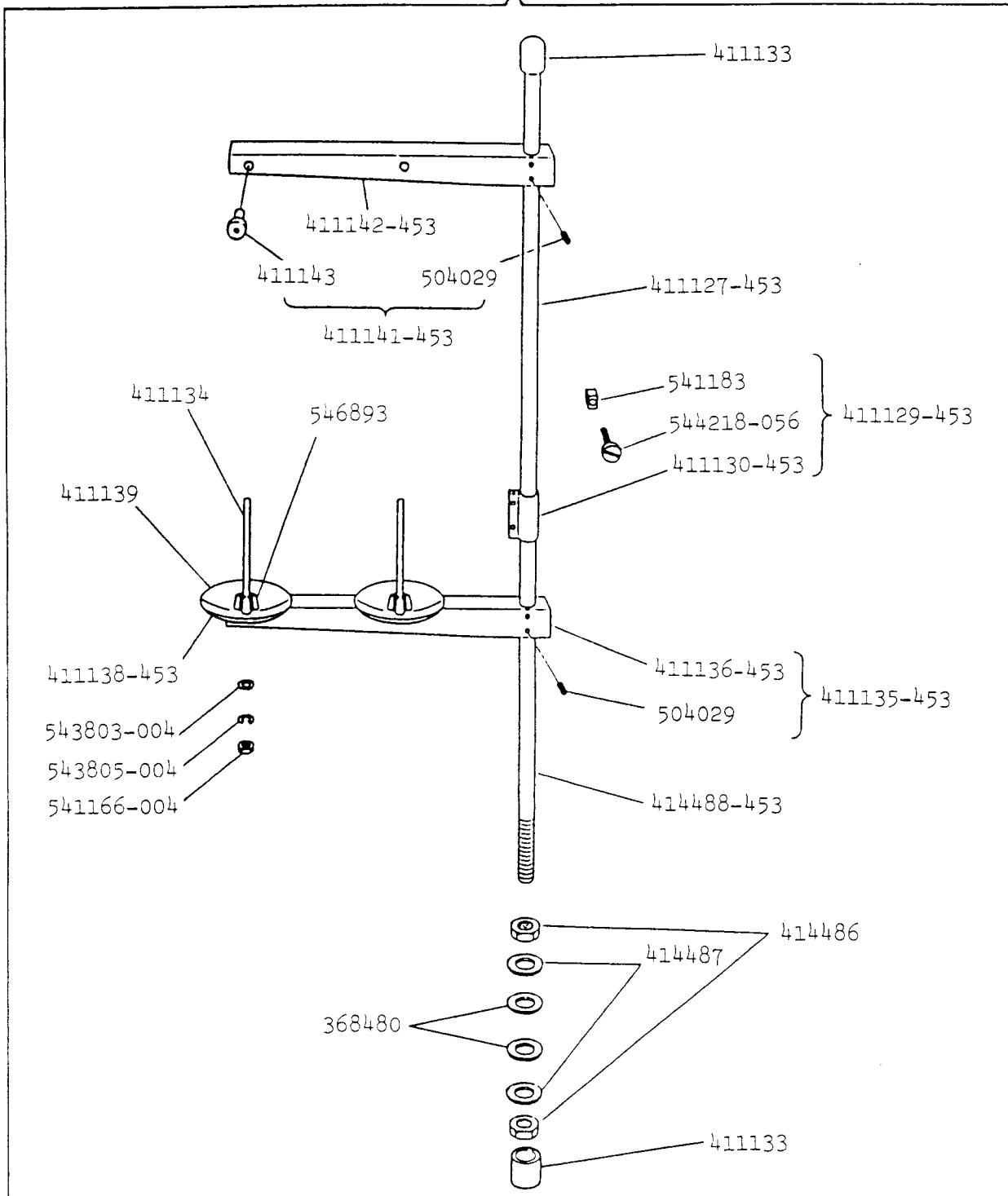
No.	212A141AA 211A157AA 165AA 166AA 566AA 567AB	Description
50429-833	* * * * *	Bobbin Winder Driving Wheel Set Screw (2)
270026	- - * * * *	Presser Bar Lifting Regulating Stud Spring
411083	* * * * *	Bobbin Winder Driving Wheel with 50429 (2)
411097	* * * * *	Bobbin Snap Spring
411108	* * * * *	Bobbin Winder Shaft Bushing (Ecc.) Trip Lever (short)
411178	* * * * *	Bobbin Winder Bushing (Ecc.) Connection Lever
411179	* * * * *	Bobbin Winder Shaft Bushing (Ecc.) Bearing
412047-001	- - * * * *	Arm Cover (top) Complete 270026, 412048-001, 412050, 412052, 412053 412056, 412144, 412224, 412229, 412240, 500280, 502832 508555, 508557, 541186, 543801-006, 543831-001, 543832-001, 544281
412048-001	- - * * * *	Arm Cover (top)
412050	- - * * * *	Presser Bar Lifting Regulating Stud
412051	- - * * * *	Arm Cover (top) Oil Pipe
412052	- - * * * *	Arm Cover (top) Oil Pipe Complete 412051, 502603
412053	* * * * *	Bobbin Winder Shaft Bushing (Ecc.) Complete 411178, 412054, 412055, 417882, 508553, 508554, 547412 (2)
412054	* * * * *	Bobbin Winder Shaft Bushing (Ecc.) with 411179
412055	* * * * *	Bobbin Winder Shaft with 411097
412056	* * * * *	Bobbin Winder Bushing (Ecc.) Rocking Lever Complete
412144	* * * * *	Thread Guide (arm top cover)
412208	* * * * *	Bobbin Winder Shaft Bushing (Ecc.) Trip Lever (long)
412224	* * * * *	Bobbin Winder Bushing (Ecc.) Thread Guard
412229	* * * * *	Bobbin Winder Tension Complete 412230, 541170, 541186, 547246, 547247
412230	* * * * *	Bobbin Winder Tension Stud with 547245-900
412240	* * * * *	Bobbin Winder Shaft Bushing (Ecc.) Trip Lever Complete 411108, 412208, 543805-008, 544211-051
417882	* * * * *	Bobbin Winder Shaft Friction Wheel with 543871-020, 544203-003 (2)
500280	* * * * *	Bobbin Winder Shaft Bushing (Ecc.) Trip Lever Cap Screw
502603	- - * * * *	Arm Cover (top) Oil Pipe Wick
502832	* * * * *	Arm Cover (top) Plug
508553	* * * * *	Bobbin Winder Bushing (Ecc.) Spring Shackle
508554	* * * * *	Bobbin Winder Bushing (Ecc.) Link Stud
508555	* * * * *	Bobbin Winder Bushing (Ecc.) Snap Ring
508557	* * * * *	Bobbin Winder Bushing (Ecc.) Spring
541170	* * * * *	Bobbin Winder Tension Nut
541186	* * * * *	Thread Guide (arm top cover) Lock Nut
541186	* * * * *	Bobbin Winder Tension Lock Nut
543801-006	- - * * * *	Presser Bar Lifting Regulating Stud Retaining Washer
543805-008	* * * * *	Bobbin Winder Shaft Bushing (Ecc.) Trip Lever Screw Washer
543831-001	* * * * *	Bobbin Winder Bushing (Ecc.) Rocking Lever Stop Pin
543832-001	* * * * *	Bobbin Winder Shaft Bushing (Ecc.) Coil Spring Stud
543871-020	* * * * *	Bobbin Winder Shaft Friction Wheel Ring
544203-003	* * * * *	Bobbin Winder Shaft Friction Wheel Set Screw (2)
544211-051	* * * * *	Bobbin Winder Shaft Bushing (Ecc.) Trip Lever Screw
544281	* * * * *	Bobbin Winder Shaft Bushing (Ecc.) Thread Guard Screw (2)
547336	* * * * *	Arm Cover (top) Screw (6)
547246	* * * * *	Bobbin Winder Tension Spring
547247	* * * * *	Bobbin Winder Tension Disc (2)
547412	* * * * *	Bobbin Winder Shaft Bushing (Ecc.) Link Lock Washer (2)

From the library of: Diamond Needle Corp



No.	212A141AA 211A157AA 165AA 166AA 566AA 567AB	Description
202254	* * * * *	Bed Oil Wick (5)
243744	* * * * *	Bed Oil Stop Screw Gasket (3)
244715	- * * * *	Hook Driving Shaft Bushing (left)
244730	* * * * *	Feed Driving Rock Shaft Bushing (back)
263093	* * * * *	Bed Oil Wick
350366	* * * * *	Bed Oil Stop Screw (3)
350440	* * * * *	Bed Oil Screw
367397	* * * * *	Feed Driving Rock Shaft Bushing (center)
412058-001	* * * * *	Arm Cover (side)
412059-001	- - * * *	Face Plate Complete 412060, 508283
412060-001	- - * * *	Face Plate Body
412223	- - * - -	Bed Oil Hole Cap
416698	- * * * *	Hook Driving Shaft Bushing (center)
504019	* * * * *	Arm Cover (side) Screw (2)
508283	* - * * *	Face Plate Plug
508304	* * * * *	Feed Driving Rock Shaft Bushing (front)
544336	* * * * *	Face Plate Screw (2)

414489-453



No.	212A141AA 211A157AA 165AA 166AA 566AA 567AB	Description
368480	* * * * *	Rubber Washer (2)
411127-453	* * * * *	Column Pipe (upper)
411129-453	* * * * *	Joint Complete 411130-453, 541183 (2), 544218-056 (2)
411130-453	* * * * *	Joint
411133	* * * * *	Column Pipe Cap (2)
411134	* * * * *	Spool Pin
411135-453	- * * * *	Spool Holder Complete 411136-453, 504029 (2)
411136-453	- * * * *	Spool Holder
411138-453	* * * * *	Spool Seat Disc (2)
411139	* * * * *	Spool Cushion (2)
411141-453	- * * * *	Thread Hanger Complete 411142-453, 411143, 504029 (2)
411142-453	- * * * *	Thread Hanger
411143	* * * * *	Thread Hanger Thread Eyelet (2)
414486	* * * * *	Column Pipe Lock Nut (2)
414487	* * * * *	Column Pipe Washer (2)
414488-453	* * * * *	Column Pipe (lower)
414489-453	- * * * *	Thread Unwinder Complete 368480 (2), 411127-453, 411129-453, 411133 (2), 411134, 411135-453, 411138-453 (2), 411139 (2), 411141-453, 414486 (2), 414487, 414488-453, 541166-004 (2), 543803-004 (2), 543805-004 (2), 546893 (2)
504029	* * * * *	Spool Holder Set Screw (2)
504029	* * * * *	Thread Hanger Set Screw (2)
541166-004	* * * * *	Spool Pin Lock Nut (2)
541183	* * * * *	Joint Screw Nut (2)
543803-004	* * * * *	Spool Pin Lock Nut Washer (2)
543805-004	* * * * *	Spool Pin Lock Nut Spring Washer (2)
544218-056	* * * * *	Joint Screw (2)
546893	* * * * *	Spool Holder (2)

412067

549104

544355

412068

224411

417253

417254

417258

417259

504105

417255

417262

417261

504105

417260

417256

543803-006

414733

544212-051

410595

410594

504105

410592

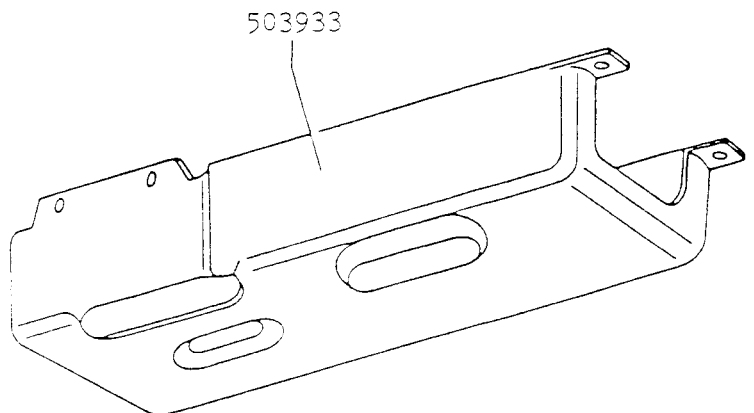
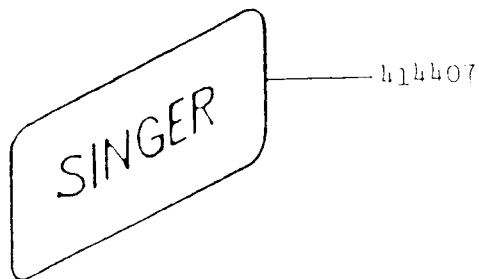
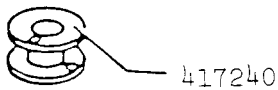
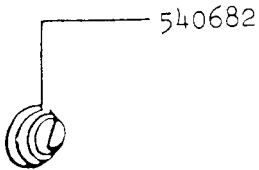
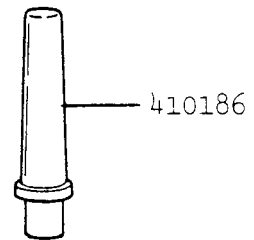
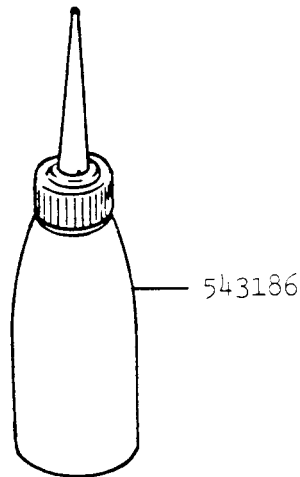
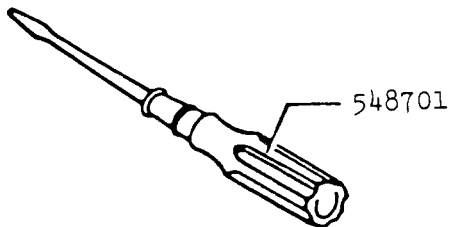
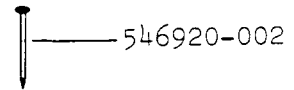
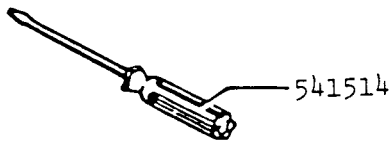
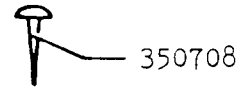
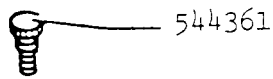
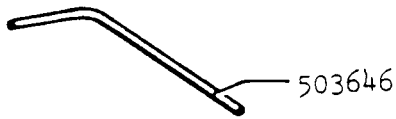
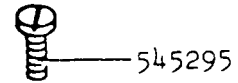
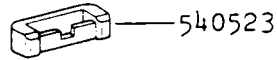
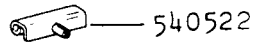
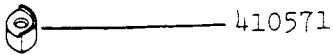
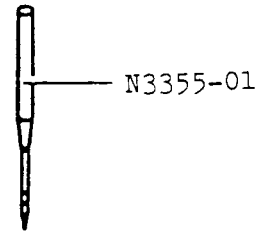
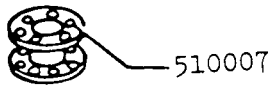
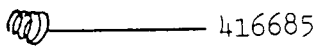
417264

414666

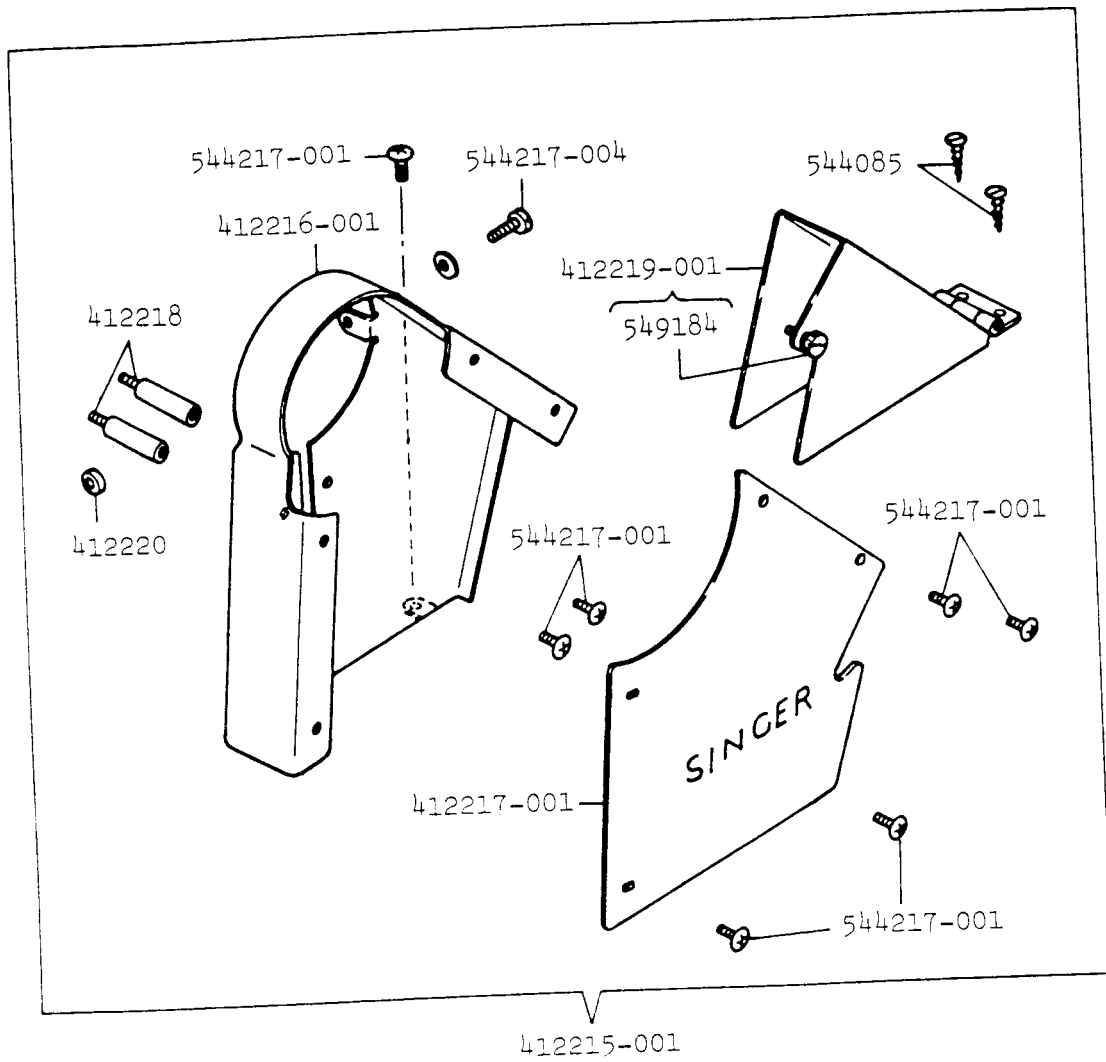
417263

414116

No.	212A141AA 211A157AA 165AA 166AA 566AA 567AB	Description
224411	*****	Knee Lifter Connection Lever Lifting Rod Roller
410592	*****	Knee Lifter Rock Lever Joint Complete 410594, 410595, 504105, 544212-051
410594	*****	Knee Lifter Rock Lever Joint Body
410595	*****	Knee Lifter Rock Lever Joint Spring
412067	*****	Knee Lifter Connection Lever Lifting Rod Roller Complete 224411, 412068, 544355
412068	*****	Knee Lifter Connection Lever Lifting Rod Roller Bracket with 549104
414116	*****	Knee Lifter Rock Lever Knee Plate Cushion
414666	*****	Knee Lifter Rock Lever Knee Plate Holder Screw
414733	*****	Knee Lifter Rock Shaft Bracket Bolt (2)
417253	*****	Knee Lifter Complete 410592, 414733(2), 417254, 417263, 543803-006 (2)
417254	*****	Knee Lifter Rock Shaft Bracket Complete 417255,417256, 417258, 417260, 417262
417255	*****	Knee Lifter Rock Shaft Bracket
417256	*****	Knee Lifter Rock Shaft
417258	*****	Knee Lifter Rock Shaft Lifting Arm Complete 417259, 504105
417259	*****	Knee Lifter Rock Shaft Lifting Arm
417260	*****	Knee Lifter Rock Shaft Stop Complete 417261, 504105
417261	*****	Knee Lifter Rock Shaft Stop
417262	*****	Knee Lifter Rock Shaft Spring
417263	*****	Knee Lifter Rock Lever Complete 414116, 414666, 417264
417264	*****	Knee Lifter Rock Lever
504105	*****	Knee Lifter Rock Shaft Lifting Arm Set Screw
504105	*****	Knee Lifter Rock Shaft Stop Set Screw
504105	*****	Knee Lifter Rock Lever Set Screw
543803-006	*****	Knee Lifter Rock Shaft Bracket Washer (2)
544212-051	*****	Knee Lifter Rock Lever Joint Spring Set Screw
544355	*****	Knee Lifter Connection Lever Lifting Rod Roller Hinge Screw
549104	*****	Knee Lifter Connection Lever Lifting Rod Roller Pinch Screw



No.	212A141AA 211A157AA 165AA 166AA 566AA 567AB	Description
N3355-01	- - * * * *	Needle (135x17, #22) (5)
350708	* * * * * *	Drip Pan Screw Nail (7)
410186	* * * * * *	Machine Rest Pin
410570	* * * * * *	Machine Rest (front) (2)
410571	* * * * * *	Machine Rest (back) (2)
414407	* * * * * *	Machine Cover
416685	- - - - * *	Bobbin Winder Tension Spring
417240	* * * * - -	Bobbin (2)
503646	* * * * * *	Wrench (3/32 inch, hexagon)
503933	* * * * * *	Drip Pan
510007	- - - - * *	Bobbin (2)
540522	- * * * * *	Machine Hinge Connection (2)
540523	* * * * * *	Machine Hinge Connection Cushion (2)
540682	- * * * * *	Tension Spring
541514	* * * * * *	Screw Driver
543186	- - * * * *	Oiler (130cc, C (type)
544361	- * * * * *	Bed Slide Thumb Screw
545295	* * * * * *	Attachment Screw
546920-002	* * * * * *	Nail (4)
548701	* * * * * *	Screw Driver



No.	212A141AA 211A157AA 165AA 166AA 566AA 567AB	Description
412215-001	* * * * *	Belt Guard Cpl. 412216-001, 412217-001, 412218 (2), 412219-001, 412220, 544085 (2), 544217-001 (7), 544217-004
412216-001	* * * * *	Belt Guard
412217-001	* * * * *	Belt Guard Plate
412218	* * * * *	Belt Guard Screw Stud (2)
412219-001	* * * * *	Belt Guard (lower) with 549184
412220	* * * * *	Belt Guard Screw Collar
544085	* * * * *	Belt Guard (lower) Wood Screw (2)
544217-001	* * * * *	Belt Guard Screw (3)
544217-001	* * * * *	Belt Guard Plate Screw (4)
544217-004	* * * * *	Belt Guard Screw (long)
549184	* * * * *	Belt Guard (lower) Thumb Screw